

OCAM

4X4
ACCESSORIES

INSTALLATION INSTRUCTIONS

PART NUMBER: SSE2-LC79

APPLICATION: FOR TOYOTA LANDCRUISER 79 SERIES

FITTING TIME: 4 hours



OCAM 4x4 Accessories
31 Shirley Way, Epping, VIC 3076
Telephone (03) 9357-0306
Email: hello@ocam.com.au
ABN: 33166112278

IMPORTANT INFORMATION

- Always wear safety glasses and hearing protection.
- Make sure work area is kept clean at all times.
- Check that all components, as listed, are present.
- Thoroughly read all instructions.
- This product or its fasteners must not be modified in any way.
- These instructions are accurate as at the revision date and do not take into account any changes made by the vehicle manufacturer to vehicle design after the revision date, or other accessories that are or have been fitted to the vehicle.
- It is the responsibility of the installer to confirm correct operation/clearance of all components.
- All holes drilled must have all burrs and swarf removed then coated with a suitable rust preventative paint.
- Ensure that all hardware is fastened to torque list as detailed in these instructions.
- On completion of the job, these instructions are to be given to the customer.


PRODUCT CARE

- To maintain the appearance of the product, wash and dry regularly using a quality car wash.
- The product should be periodically checked for tightness.

Torque Settings		
BOLT SIZE mm	TORQUE Nm	TORQUE ft.lb
M5	5	4
M6	9	7
M8	22	16
M10	44	32
M12	77	57

Tools Required

- | | |
|------------------------------------------------------------------------------------------------------------------------------------------------------------------------------------------------------------------------------------------------------------------------------------------------------------------------------------------------------------------------------------------------------------------------------------------|----------------------------------------------------------------------------------------------------------------------------------------------------------------------------------------------------------------------------------------------------------------------------------------------------------------------------------------------------------|
| <ol style="list-style-type: none"> 1.  2.  3.  4.  | 


 |
|------------------------------------------------------------------------------------------------------------------------------------------------------------------------------------------------------------------------------------------------------------------------------------------------------------------------------------------------------------------------------------------------------------------------------------------|----------------------------------------------------------------------------------------------------------------------------------------------------------------------------------------------------------------------------------------------------------------------------------------------------------------------------------------------------------|

COMPONENTS LIST



ECU



Right front motor bracket



Left front motor bracket



Right rear idler bracket



Left rear idler bracket



Wire harness: one set for motor power and signal



M6x25 outer hex bolts 8 PCS



M6x25 socket cap bolt 8 PCS



M8 washer 2PCS



M6 spring washer 8PCS



U-shaped washer 10 PCS



M6 washers 12PCS



M6x40 outer hex bolts 4 PCS



M6*55 T-shape bolts 2pcs



Plastic line 1 PCE



Cable ties 20PCS



Side Steps 2PCS

1. Install ECU, OBD & Wiring



1. Open the engine compartment and locate the battery



2. Remove the fuse from the supplied wiring harness



3. Connect the positive wire (red with fuse) to the vehicle battery-positive terminal. Caution: Ensure nut is tight.



4. Find the rubber grommet on the firewall as shown on the passenger side.



5. Route the harness (three lines) through to the cabin.



6. Connect the negative wire to the to existing negative which you'll find in the left side kick-panel as shown.



7. Locate an existing mounting bolt, e.g, as shown



8. Fix the ECU model to the vehicles, e.g., as shown



9. Remove the B-pillar trim panels on both sides



10. Connect the supplied door switch harness adapter, as shown, with the factory door switch wiring



11. Remove this trim panel for all 4 doors

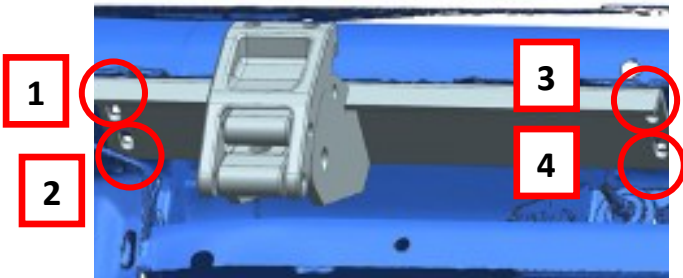
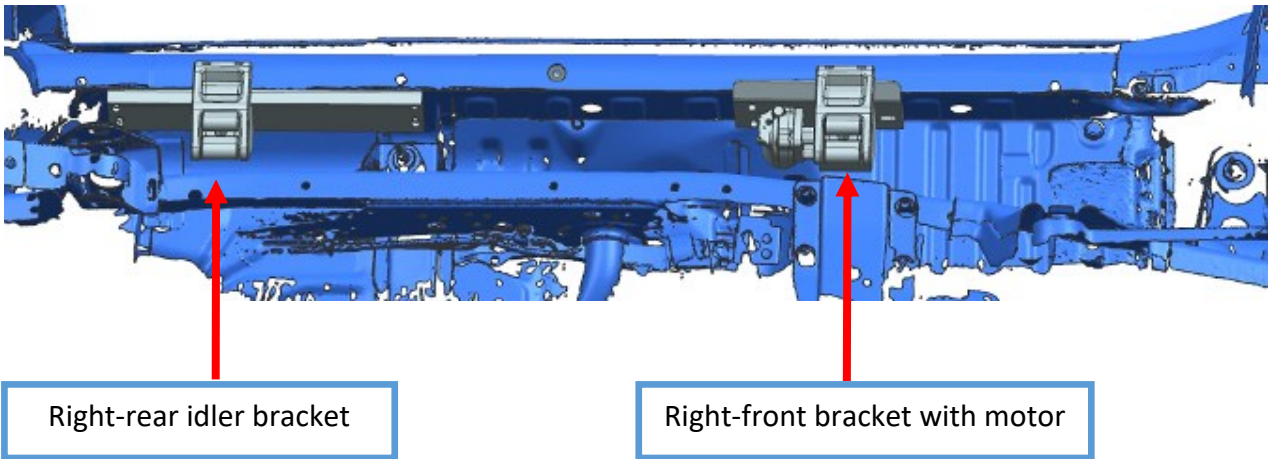


12. Route the motor harness through existing floor pan grommet, as shown line to the chassis site

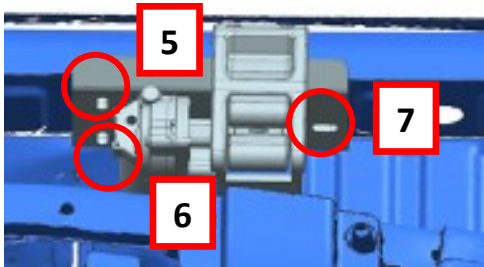
13. Connect motor connectors and cover in electric tape to secure the connections.. Re-insert the fuse and test if the motor is working correctly.

2. Install the bracket connectors to the right (driver) side.

FRONT OF VEHICLE →



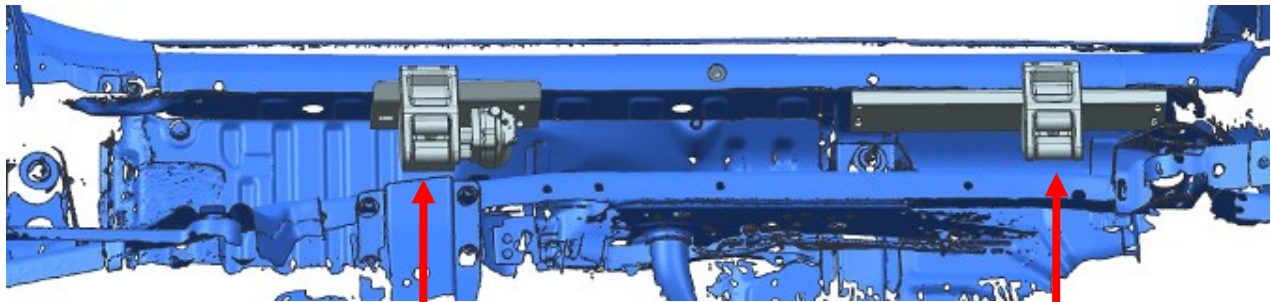
For 1, 2, 3, 4, use M6x25 bolts to secure



For 5, 6 use M6x40 bolts to secure For 7, use M8x50 t-shape bolt to secure

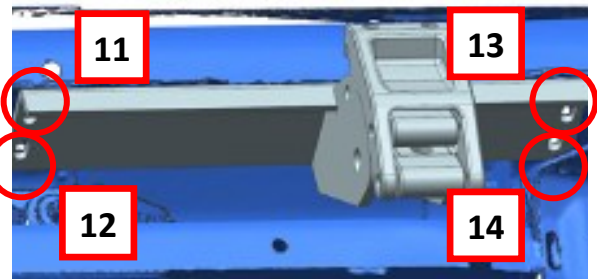
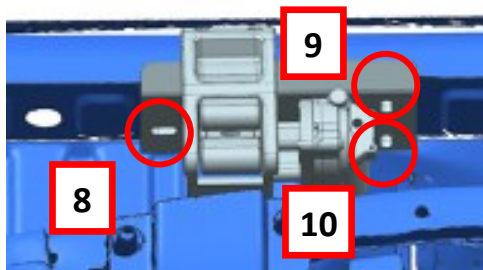
Note: Images show 2 brackets per side. The side steps have been upgraded to 3 brackets per side, with the motor installation in the centre. Caution: don't tighten the bolts

3. Install the brackets to the passenger (left) side.



Left-front bracket with motor

Left-rear idler bracket

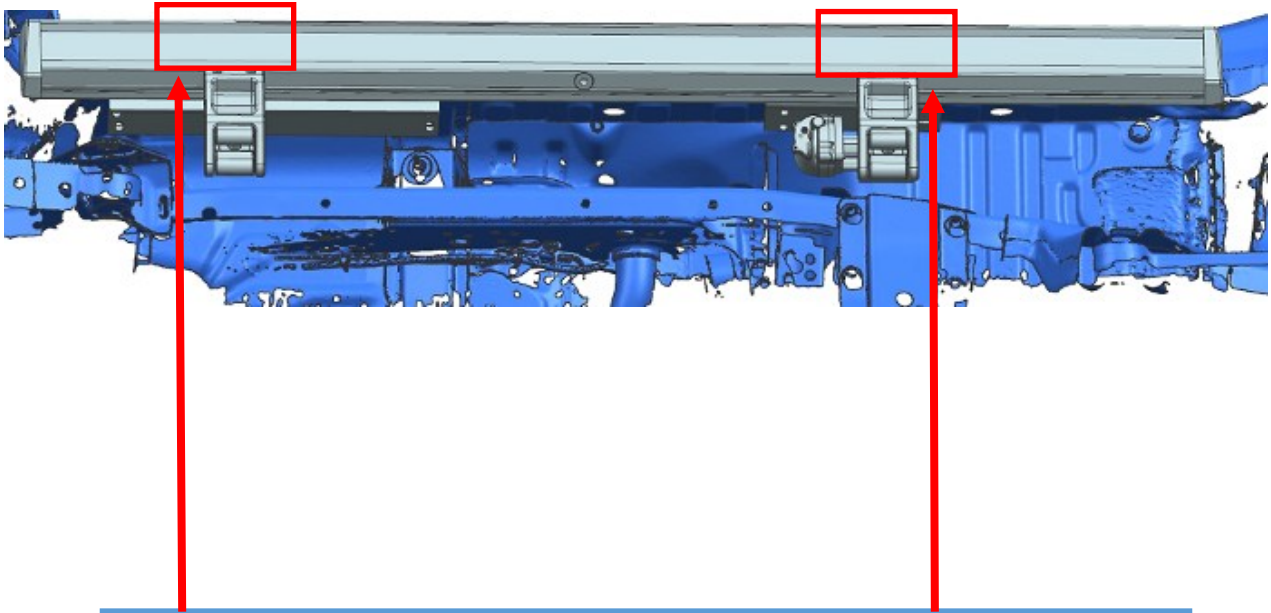


For 8, 9, use M6x40 bolts to secure
For 10, use M8x50 t-shape bolt to secure

For 11, 12, 13, 14 use M6x25 bolts to secure

Note: Images show 2 brackets per side. The side steps have been upgraded to 3 brackets per side, with the motor installation in the centre. Caution: don't tighten the bolts yet!

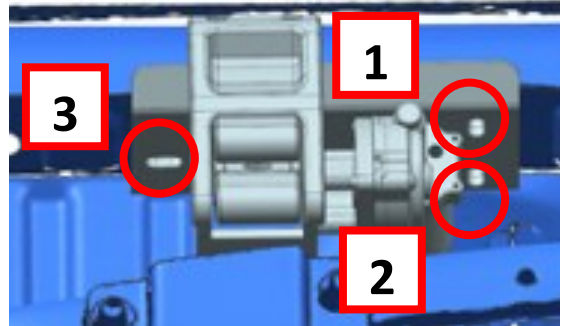
4. Install left (passenger) side step



Use M6 socket cap bolts to fix the side steps to the brackets as shown above.

TIGHTEN THESE BOLTS!!

5. Test and adjust/balance the side steps



1. Open and close the doors to check that the steps work correctly. Ensure the steps are clear of any obstructions. As they move up and down, they will adjust to the correct alignment position themselves.

2. Tighten 1, 2, 3, bolts. If the side steps are out of alignment, use the U shaped washers to adjust them.

Installation is complete.



Automatic power deployment:

The side steps will extend down and out when the door is opened.

Automatic stop:

If an object is in the way of the moving side step, the side step will automatically stop. To reset, clear any obstruction, then simply open and close the door to resume normal operation.

Manually set in the deployed (OUT) position for access to the roof:

Stand on the side step while closing the door. To resume normal operation, open and close the door.

Maintenance:

In adverse conditions, debris such as mud, dirt, and salt may become trapped in the side step mechanism, possibly leading to unwanted noise. If this occurs, avoid spraying the motors directly and after washing, apply silicone spray lubricant to the hinge pivot pins.

Caution! Keep hands and feet away when the side steps are in motion.

Thank you for choosing the OCAM Electric Side Steps. Enjoy!!