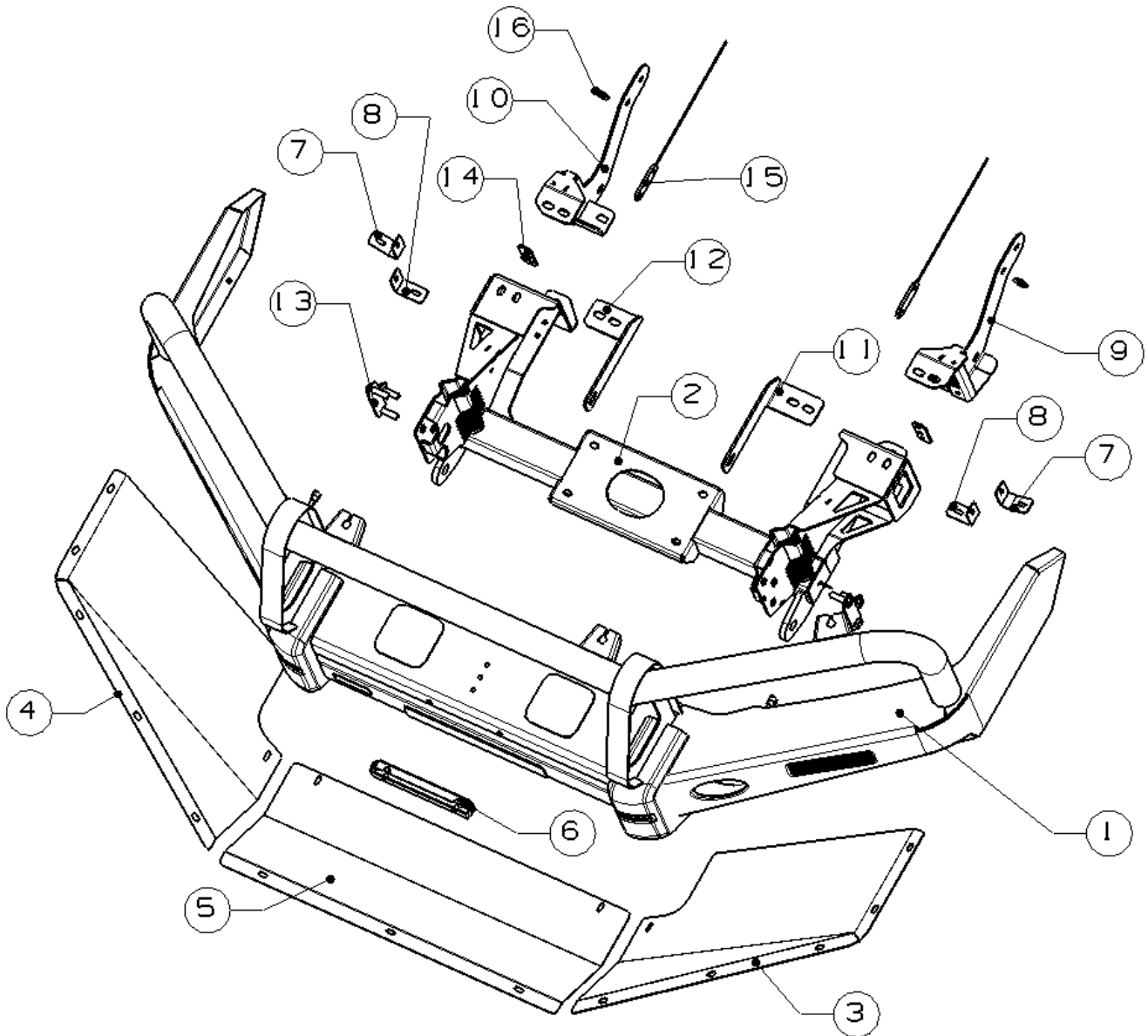


# Fitting Instructions

Description:	OCAM Deluxe Bull Bar, Heavy Duty Steel, Winch Compatible, ADR Compliant
Model:	For Toyota Prado 150 Series 09/2017+
Item NO.:	BB2-150-18



## Note:

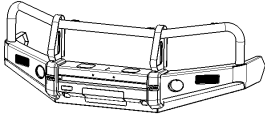
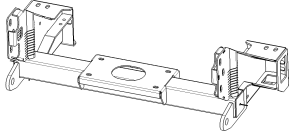
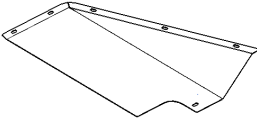
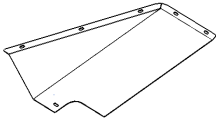
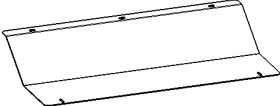

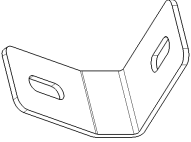
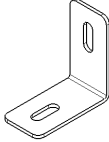
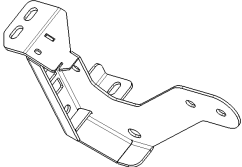
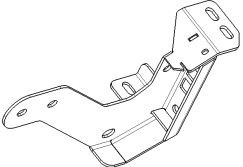
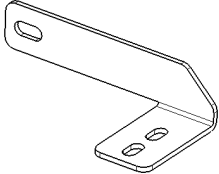
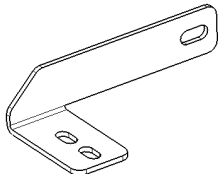
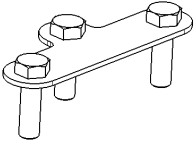

- 1) This bull bar is only suitable for the vehicle make/model/series stated above.
- 2) Do not remove the compliance label.
- 3) Do not change the structure of the bull bar.

## Standard locking torque

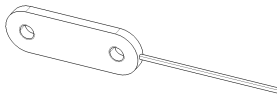
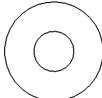
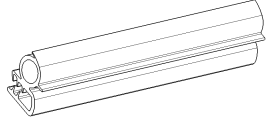
M6 - 11Nm | M8 - 18Nm | M10 - 80 Nm | M12 - 90 Nm | M16 - 90 Nm

# Fitting Instructions

## Bom list

Item	Item NO.	Description	Qty	Item	Item NO.	Description	Qty
1	200353574	 Bull bar assemble	1	2	200460426	 Winch Frame	1
3	200353783	 Bash Plate (LH)	1	4	200353784	 Bash Plate (RH)	1
5	200353782	 Center Bash Plate	1	6	E280008049	 Number Plate Hinge Bracket	1
7	200413467	 Side Bash Plate holding bracket	2	8	200353878	 Center Bash Plate holding bracket	2
9	200396625	 Chassis Bracket(LH)	1	10	200396629	 Chassis Bracket(RH)	1
11	200358047	 Support Bracket (LH)	1	12	200358053	 Support Bracket (RH)	1
13	200253840	 3-M12x40 bolt plate	2	14	200114798	 M10 spacer	2

# Fitting Instructions

15	200114816	 M10x1.25 nut plate	2	16	200115496	 M12 spacer (13x32x4)	2
N/A	200120188	 Pinch weld (2000mm)	1				

## Hardware kit

Item	Item NO.	Description	Qty
<a href="#">17</a>	3000062	Allen key S=4	1
<a href="#">18</a>	3000136	Spring washer M6	2
<a href="#">19</a>	3000147	Spring washer M8	2
<a href="#">20</a>	3000160	Spring washer M10	14
<a href="#">21</a>	3000171	Spring washer M12	8
<a href="#">22</a>	3000228	Flat washer M6 (6x18x1.6mm)	8
<a href="#">23</a>	3000238	Flat washer M8 (8x24x2mm)	2
<a href="#">24</a>	3000245	Flat washer M10 (10x30x2.5mm)	20
<a href="#">25</a>	3000252	Flat washer M12 (12x37x3mm)	6
<a href="#">26</a>	3000333	Flat washer M12 (12x24x2.5mm)	2
<a href="#">27</a>	3000421	Flat washer M10 (10x34x3mm)	2
<a href="#">28</a>	3000760	Dome head bolt M6_50	2
<a href="#">29</a>	3001477	Hex nut M6	6
<a href="#">30</a>	3001491	Hex nut M10	8
<a href="#">31</a>	3001505	Hex nut M12	6
<a href="#">32</a>	3002578	Hex bolt M8_20	2
<a href="#">33</a>	3002702	Hex bolt M10_30	4
<a href="#">34</a>	3002720	Hex bolt M10_40	6
<a href="#">35</a>	3003021	Hex bolt M10x1.25_30	4
<a href="#">36</a>	3003078	Hex bolt M12x1.25_30	2
<a href="#">37</a>	3006267	Combo kit with bolt & washer M6_20	19

# Fitting Instructions

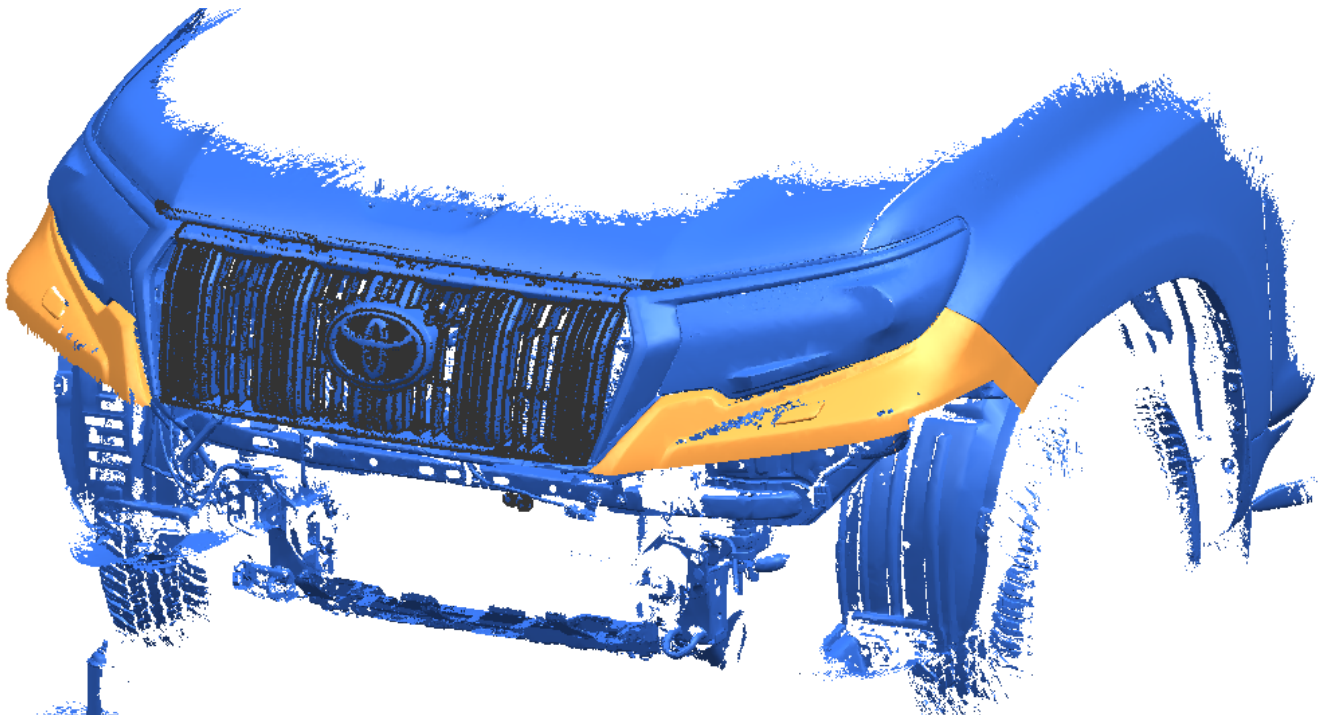
## 1. Installation Steps:

Remove front surround



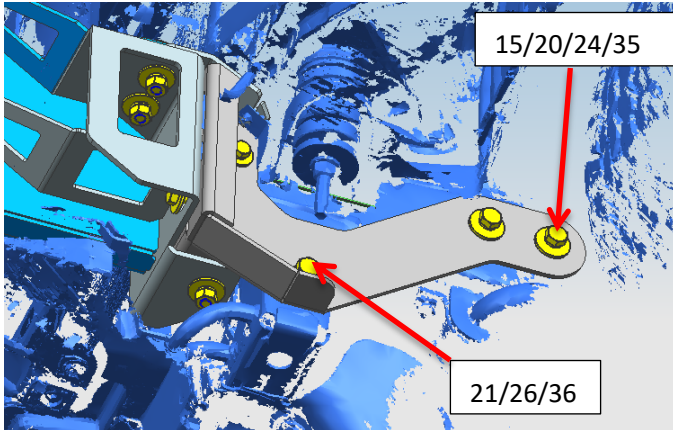
Remove & discard all plastics in front and below beam.  
Remove and discard front intrusion beam and fasteners

Please apply the supplied trimming template to trim the OEM bumper:



# Fitting Instructions

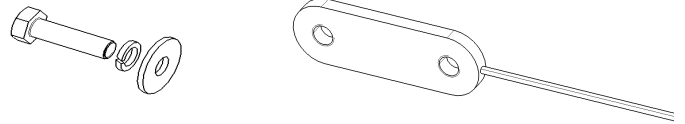
## 2. Chassis Mount: item 9&10 (LHS)



Use below bolt kits: (2)

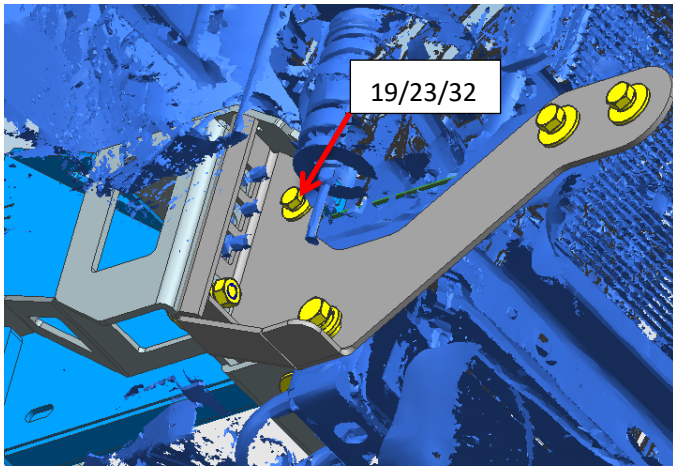
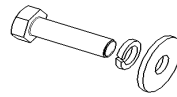
1. Item 15/20/24/35:

Hexagonal head bolt M10x1.25\_30+M10spring washer+M10 washer+ M10x1.25 nut plate



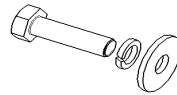
2. Item 21/26/36: (1)

Hexagonal head bolt M12x1.25\_30+ M12 spring washer+M12 flat washer



3. Item 19/23/32: (1)

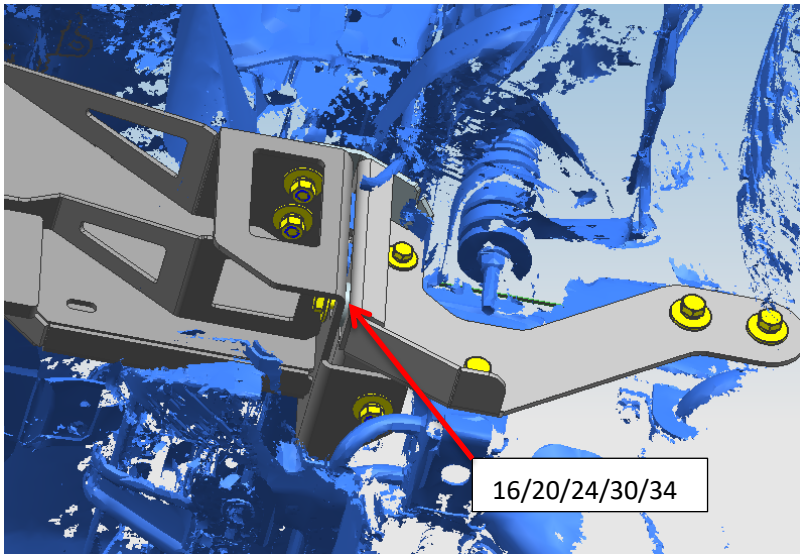
Hexagonal head bolt M8\_20+ M8 spring washer+M8 washer





# Fitting Instructions

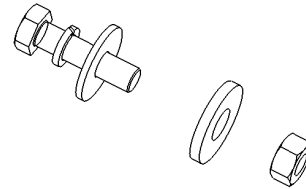
## 3. install item 2 & Item11/12



Need use below bolt kits:

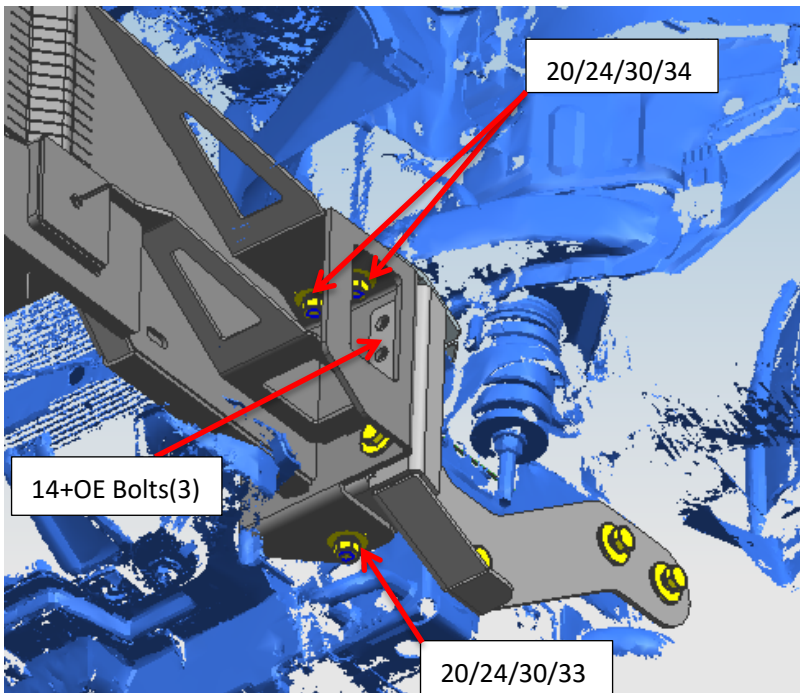
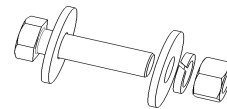
1. Item 16/20/24/30/34: (1)

Hexagonal head bolt M10\_40+ M10 spring washer+M10 washer +M10 nut (Please pay attention #16 is sandwiched)



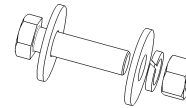
2. Item 20/24/30/34: (#2)

Hexagonal head bolt M10\_40 + M10 spring washer+M10 washer +M10 nut (Please pre-install #11&12 onto #2)



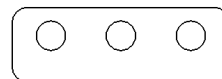
3. Item 20/24/30/33: (1)

Hexagonal head bolt M10\_30+ M10 spring washer+M10 washer +M10 nut



4. Item 14+OE Bolts: (1)

M10 Washer plate



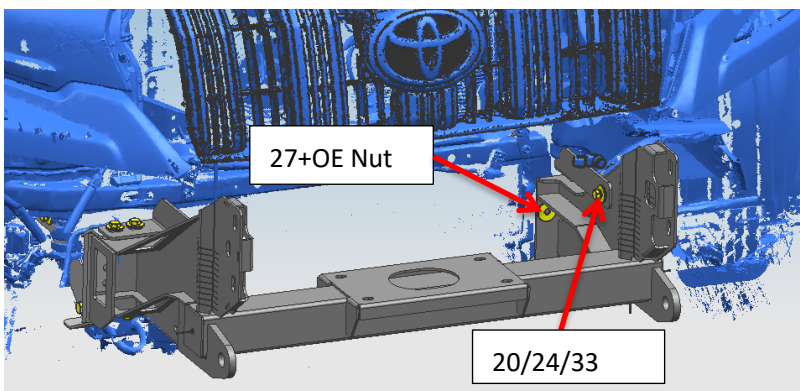
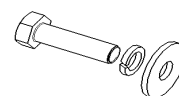
5. Item 27+OE Nut: (1)

M10 large washer



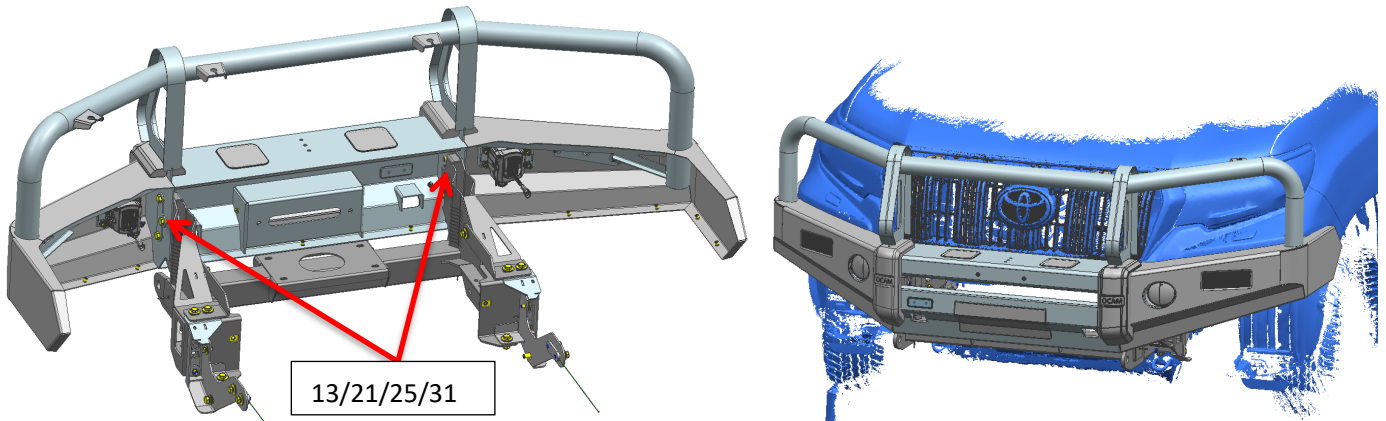
6. Item 20/24/33: (1)

Hexagonal head bolt M10\_30+ M10 spring washer+M10 washer



# Fitting Instructions

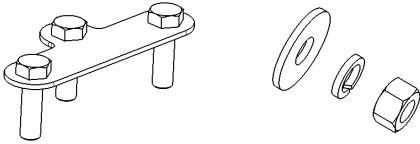
**4. Install item 1 (Please pre-install pinch weld to the edge)**



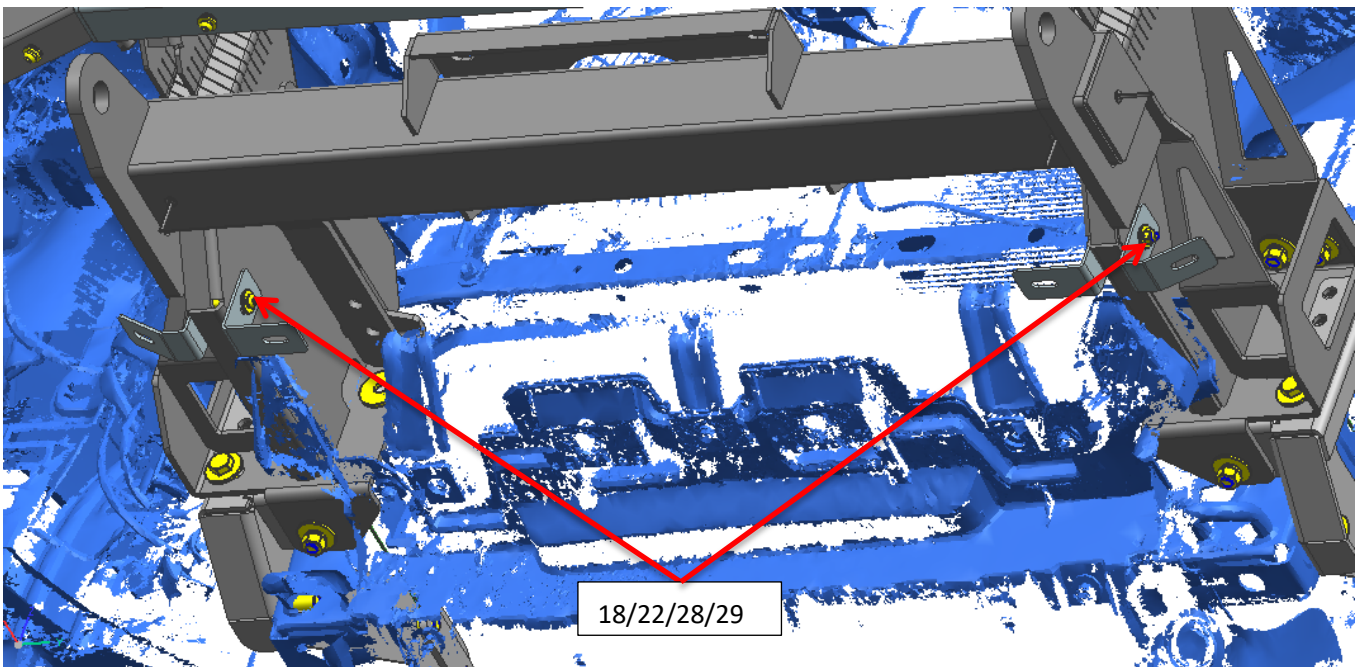
Need use below bolt kits

Item 13/21/25/31: (2)

3-M12x40 bolt plate + M12 spring washer (3) +M12 washer (3) +M12 Hexagon nut (3)



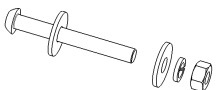
**5. Install item 7&8**



Need use below bolt kits

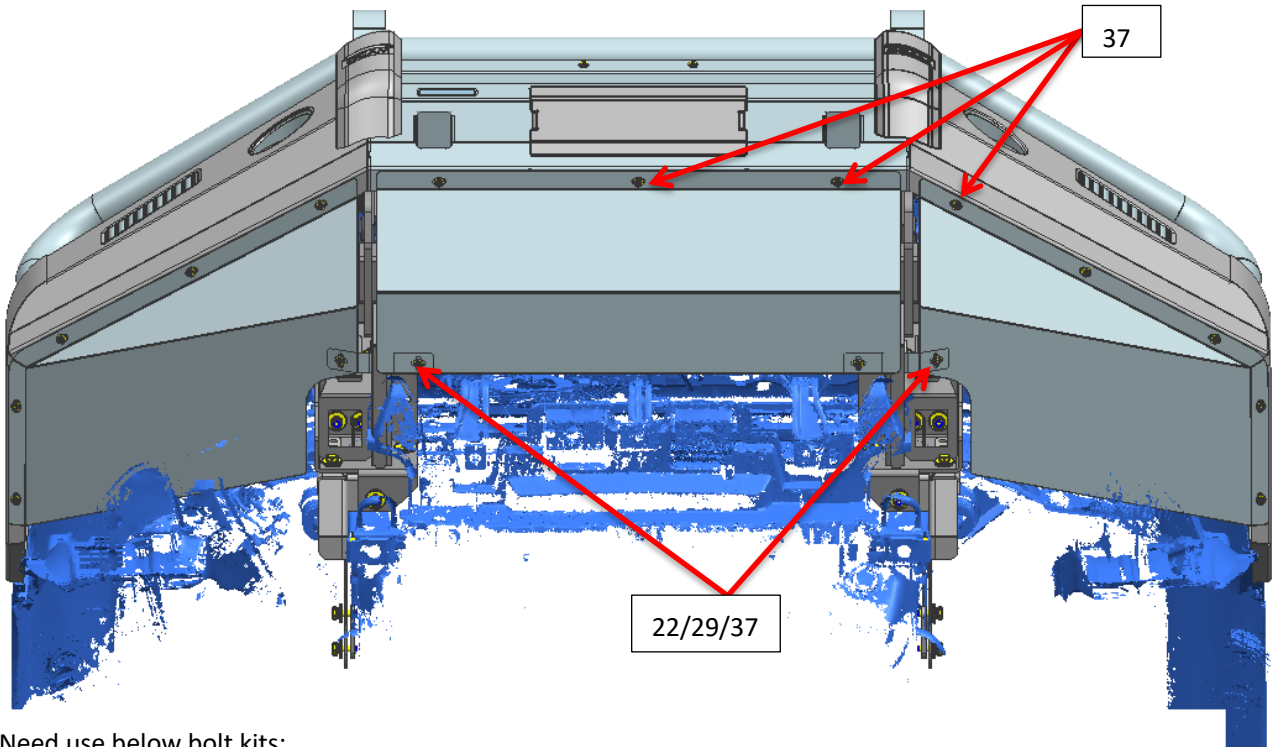
1、Item 18/22/28/29: (2)

Hexagon screw M6x65 + M6 spring washer +M6 washer (2) +M6 Hexagon nut



# Fitting Instructions

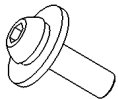
6. Install item 3&4&5



Need use below bolt kits:

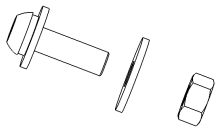
1. Item 37: (13)

Using Package set M6x20 Doom head bolt x Spring washer x Flat washer



2. Item 22/29/37: (4)

Using Package set M6x20 Doom head bolt +M6 washer+M6 nut



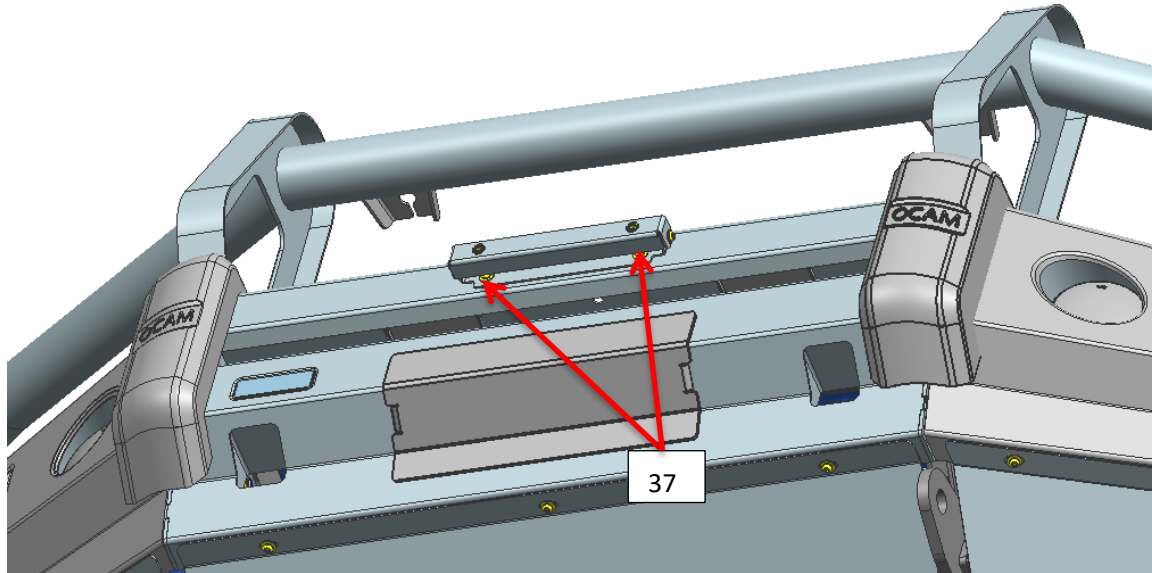


# Fitting Instructions

---

**7. install item 6:**

Using Package set M6x20 Doom head bolt x Spring washer x Flat washer



**8. Test and make sure that the guard is steadily fixed, fully tighten all hardware**

**9. Installation is finished, pick up all tools.**

---