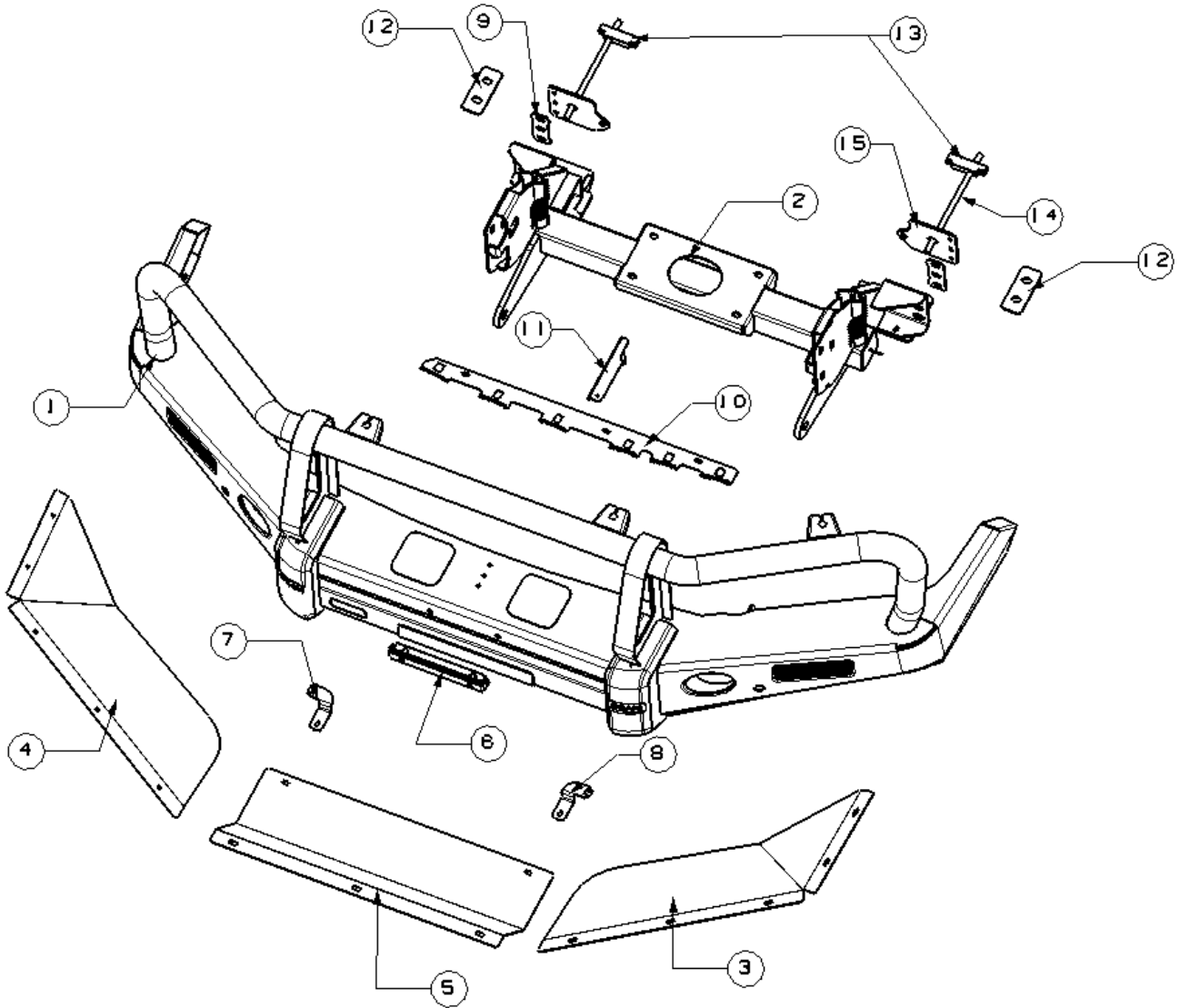


Fitting Instructions

Description:	OCAM Deluxe Bull Bar, Heavy Duty Steel, Winch Compatible, ADR Compliant
Model:	For Toyota Landcruiser 200 Series 08/2015+
Item NO.:	BB2-200-15



Note:

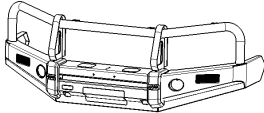
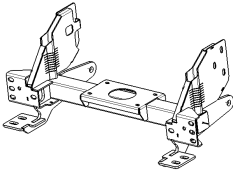
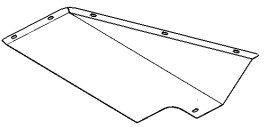
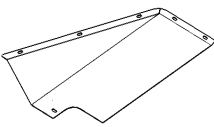
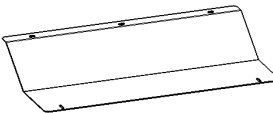

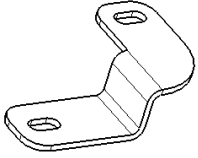
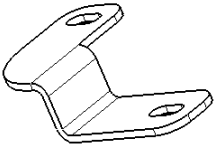
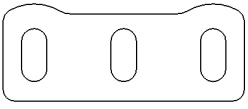


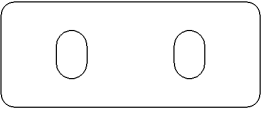
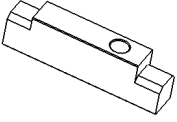
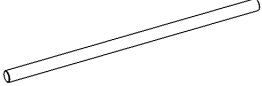
- 1) This bull bar is only suitable for the vehicle make/model/series stated in the Description above.
- 2) Do not remove the compliance label.
- 3) Do not change the structure of the bull bar.

Standard locking torque

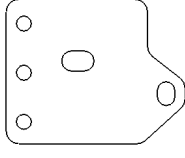
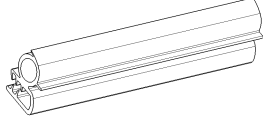
M6 - 11Nm | M8 - 18Nm | M10 - 80 Nm | M12 - 90 Nm | M16 - 90 Nm

Fitting Instructions

Bom list

Item	Item NO.	Description	Qty	Item	Item NO.	Description	Qty
1	200309526	 Bull bar assemble	1	2	200306471	 Winch Frame	1
3	200306453	 Bash Plate (LH)	1	4	200306454	 Bash Plate (RH)	1
5	200306455	 Center Bash Plate	1	6	E28000804 9	 Number Plate Hinge Bracket	1
7	200307173	 Bash Plate Connect Bracket RHS	1	8	200307149	 Bash Plate Connect Bracket LHS	1
9	E28000906 1	 Shim - three hole	2	10	E28000945 2	 Grill support bracket	1
11	E28000945 3	 Grill support L bracket	1	12	E28000946 2	 Shim - two hole	2
13	280009463	 Chassis Insert	2	14	280009464	 M12x1.75 rod	2

Fitting Instructions

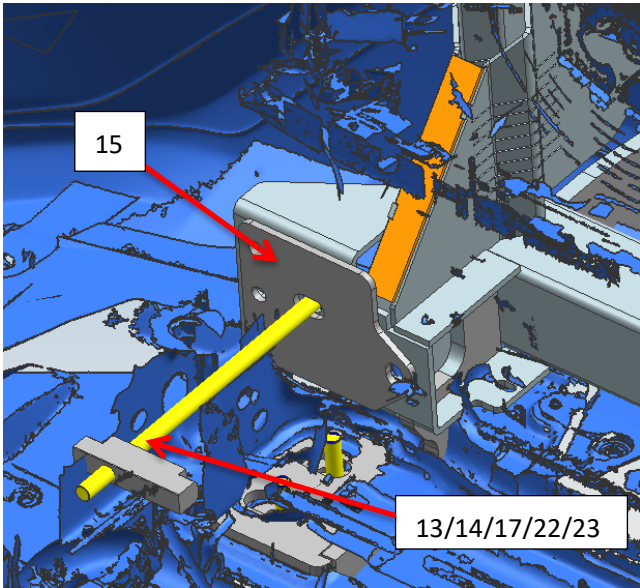
15	E28000946 0		2	N/A	200120188		1
----	----------------	---	---	-----	-----------	---	---

Hardware kit

Item	Item NO.	Description	Qty
16	3000062	Allen key S=4	1
17	3000171	Spring washer M12	12
18	3000238	Flat washer M8(8x24x2mm)	3
19	3000252	Flat washer M12(12x37x3mm)	16
20	3000288	Flat washer M6(6x12x1.6mm)	3
21	3000318	Flat washer M10(10x20x2mm)	2
22	3000333	Flat washer M12(12x24x2.5mm)	2
23	3001505	Hex nut M12	8
24	3001569	Flange nut M6	7
25	3001577	Flange nut M8	3
26	3002519	Hex head bolt (full thread) M6_20	3
27	3002571	Hex head bolt (full thread) M8_16	3
28	3002827	Hex head bolt (full thread) M12_40	6
29	3003094	Hex head bolt (full thread) M12x1.25_45	4
30	3006267	Combo hardware – Dome head bolt, spring washer, flat washer M6x20	2
31	3006351	Combo hardware – Dome head bolt, spring washer, flat washer (OD 18mm) M6x20	17

Fitting Instructions

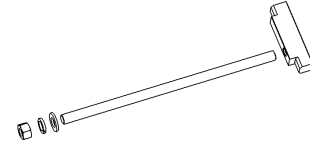
1. Install item 2



Use below bolt kits:

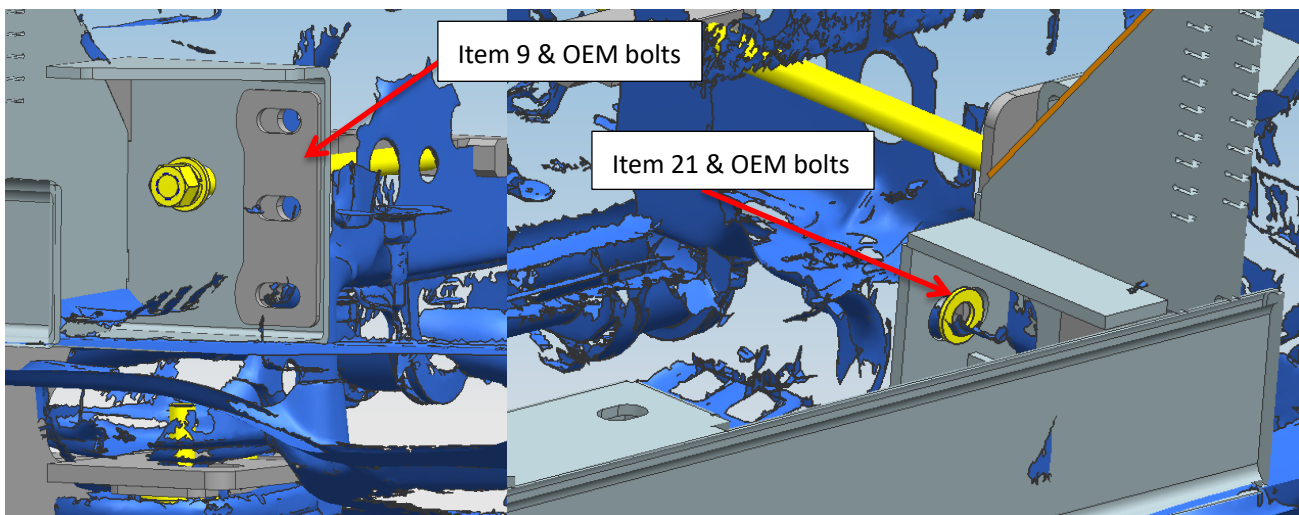
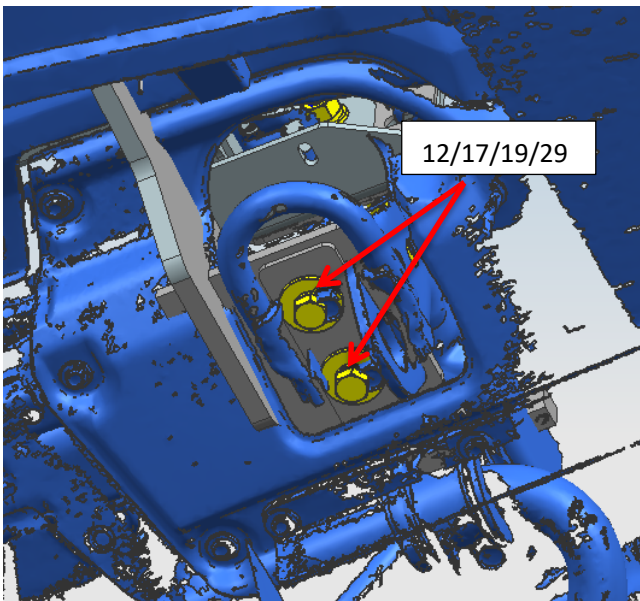
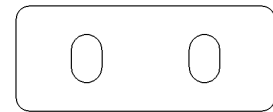
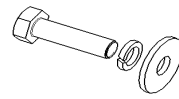
1. Item 13/14/17/22/23:

M12x1.75 rod+M12spring washer+M12 washer+ M10 nut



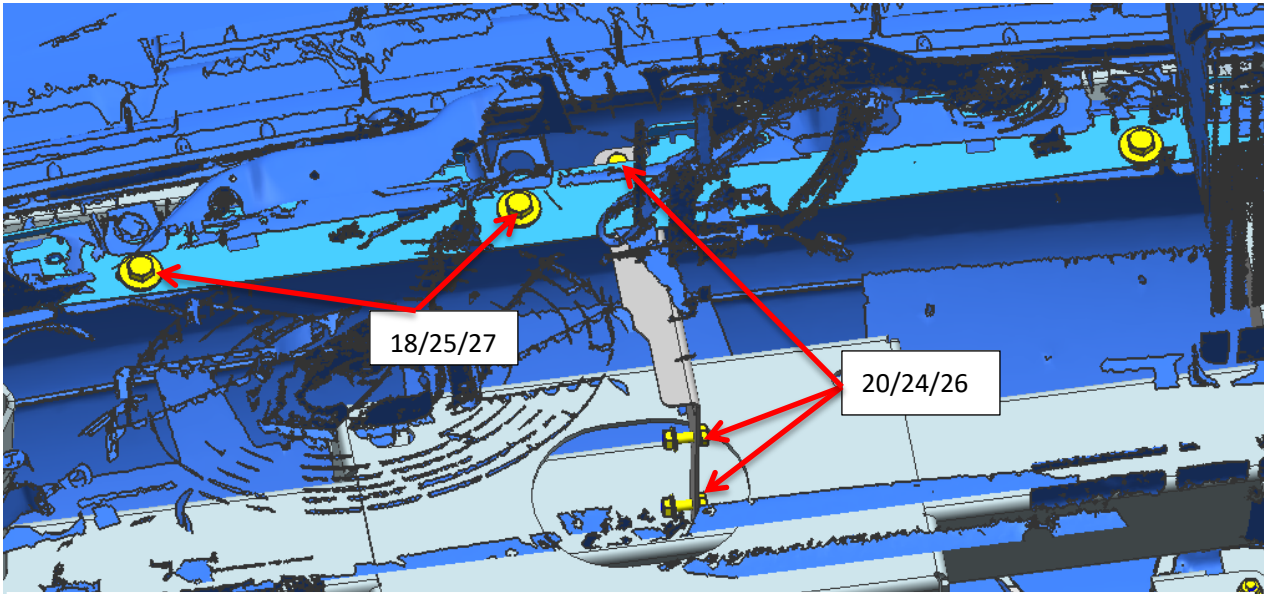
2. Item 21/26/36:

(2) Hexagonal head bolt M12x1.25_45+ (2) M12 spring washer+ (2) M12 flat washer+ (1) Shim-two hole



Fitting Instructions

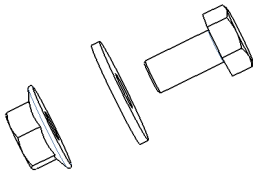
2. Install item 10&11



Need use below bolt kits

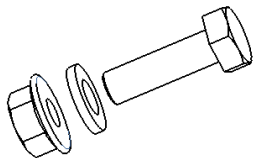
1、Item 18/25/27: (3)

M8x16 bolt +M8 washer +M8 flange nut



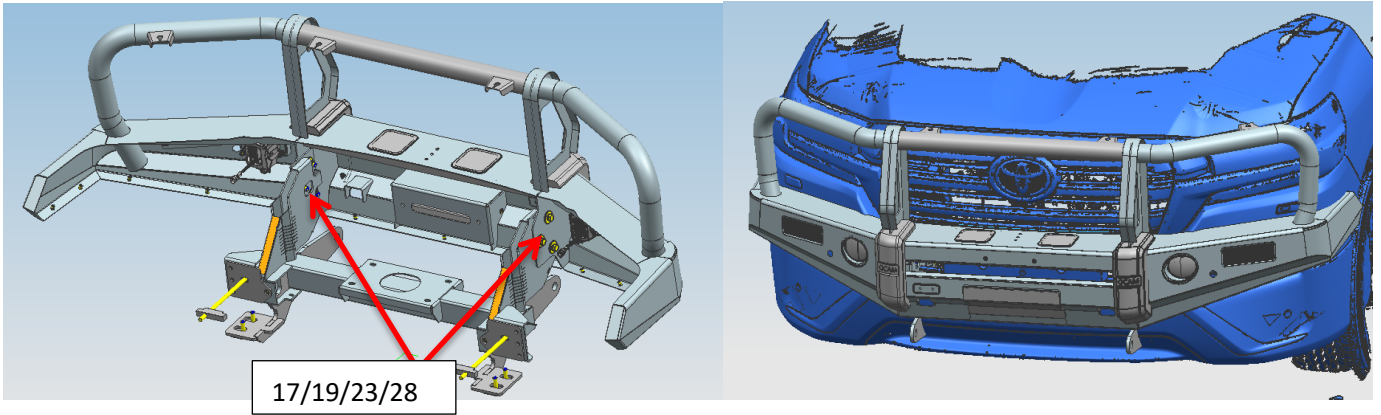
2、Item 20/24/26: (3)

M6x20 bolt +M6 washer +M6 flange nut



Fitting Instructions

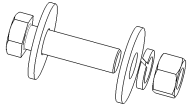
3. Install item 1



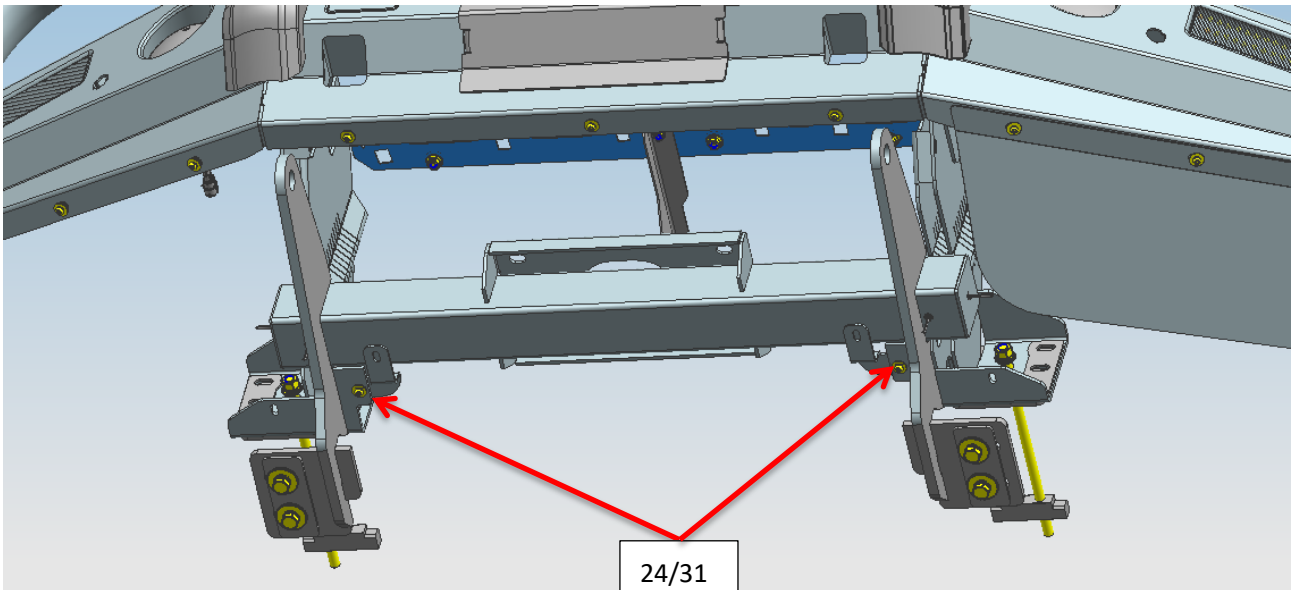
Need use below bolt kits

Item 17/19/23/28: (6)

M12x40 bolt +M12 spring washer+M12 washer +M12 nut



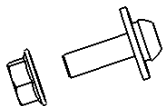
4.



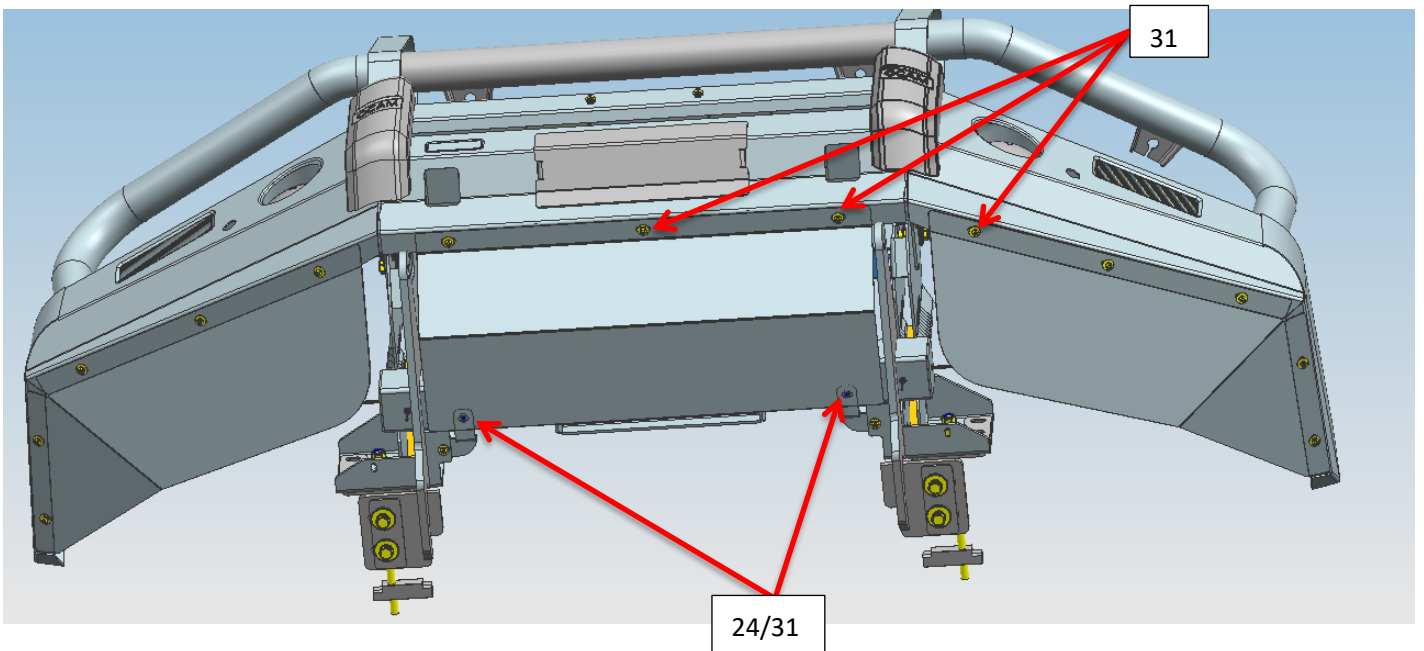
Need use below bolt kits

1、 Item 24/31: (2)

Using Package set M6x20 Doom head bolt x Spring washer x Flat washer +M6 flange nut



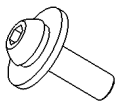
5. Install item 3&4&5



Need use below bolt kits:

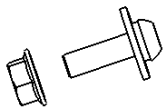
1. Item 31: (13)

Using Package set M6x20 Doom head bolt x Spring washer x Flat washer



2. Item 22/29/37: (2)

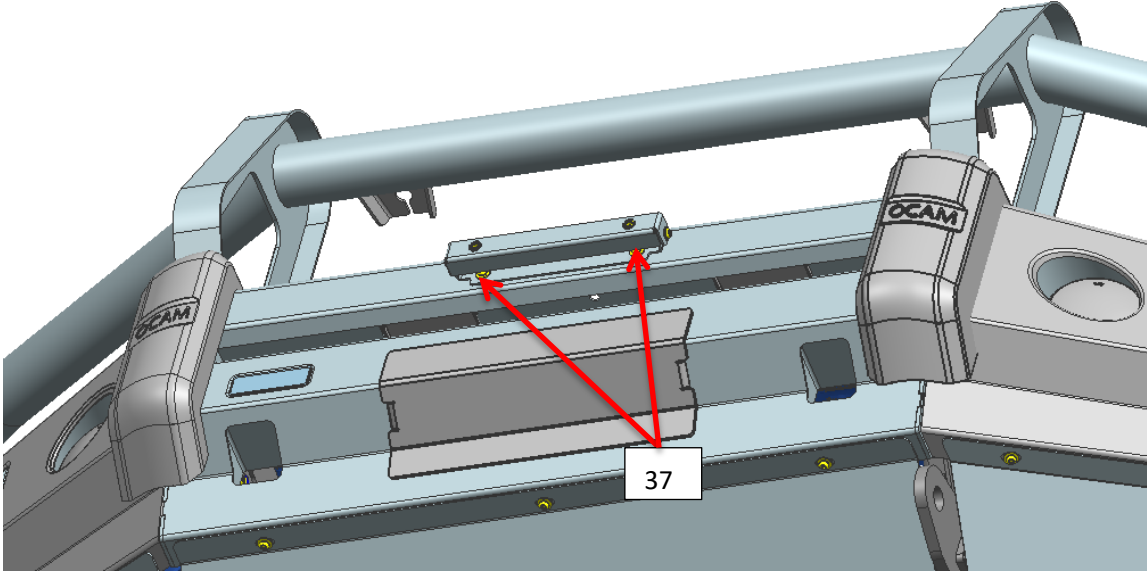
Using Package set M6x20 Doom head bolt + M6 flange nut



Fitting Instructions

6. install item 6:

Using Package set M6x20 Doom head bolt x Spring washer x Flat washer



7. Test and make sure that the guard is steadily fixed, fully tighten all hardware

8. Installation is finished, pick up all tools.
