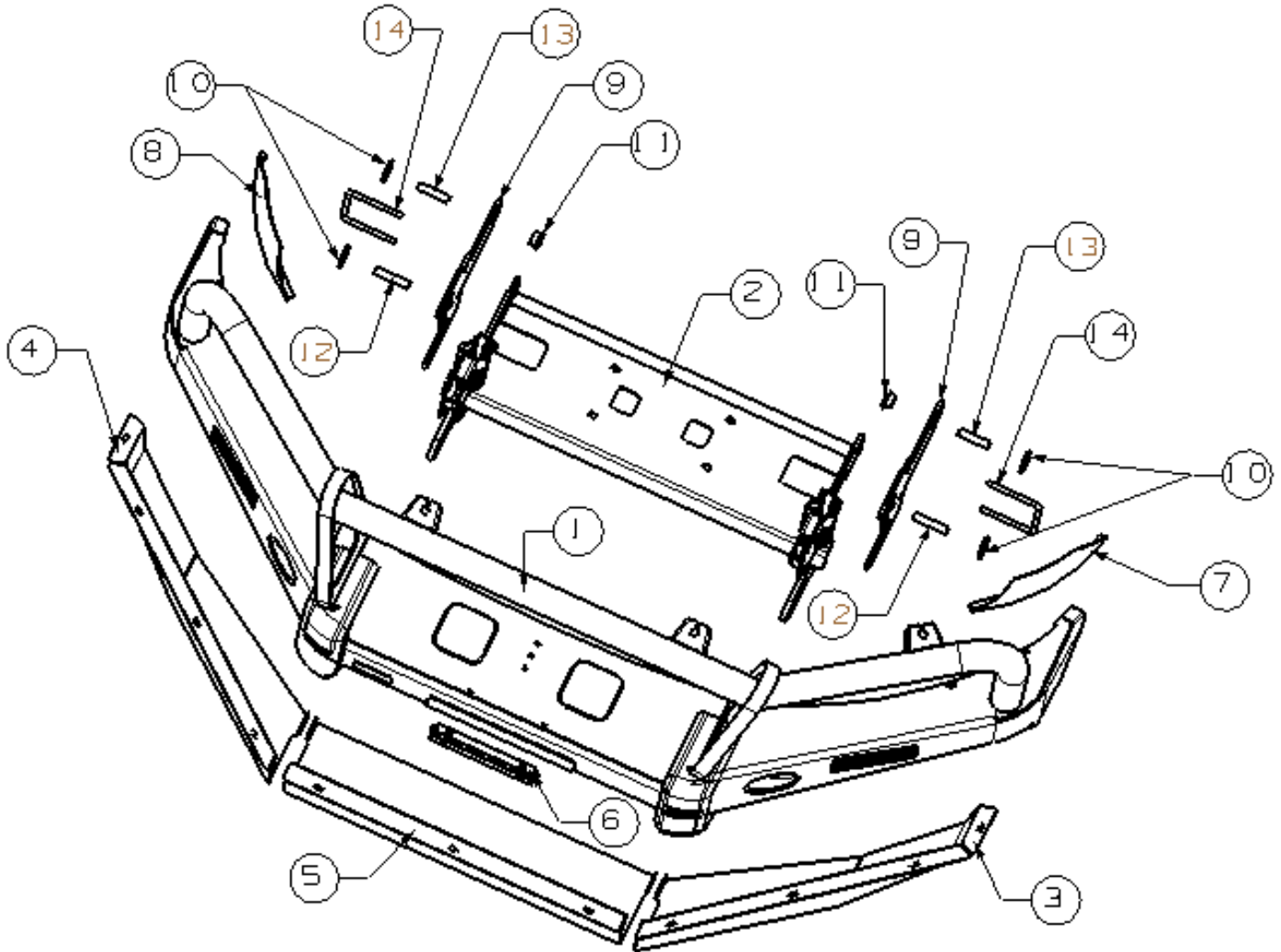


# Fitting Instructions

Description:	OCAM Deluxe Bull Bar, Heavy Duty Steel, Winch Compatible, ADR Compliant
Model:	For Volkswagen Amarok 2011+ (All Variants)
Item NO.:	BB2-Amarok



**Note:**

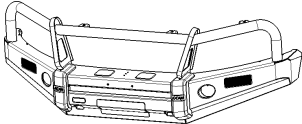
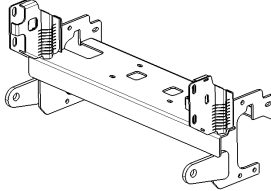
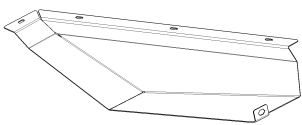
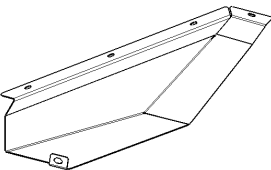
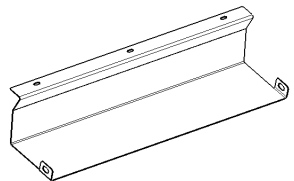

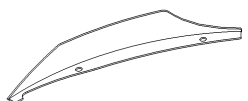

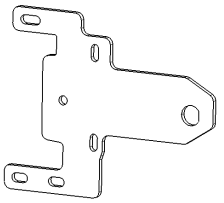
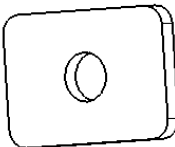
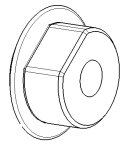
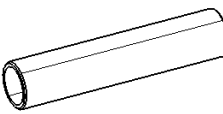
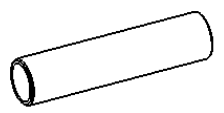
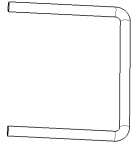
- 1) This bull bar is only suitable for the vehicle make/model/series stated above.
- 2) Do not remove the compliance label.
- 3) Do not change the structure of the bull bar.

**Standard locking torque**


M6 - 11Nm | M8 - 18Nm | M10 - 80 Nm | M12 - 90 Nm | M16 - 90 Nm

# Fitting Instructions

## Bom list

Item	Winbo item NO.	Description	Qty	Item	Winbo item NO.	Description	Qty
1	200308250	 Bull bar assemble	1	2	200308397	 Winch Frame	1
3	200308514	 Skid Plate (LH)	1	4	200308515	 Skid Plate (RH)	1
5	200308517	 Middle Skid Plate	1	6	E280008049	 Number Plate Hinge Bracket	1
7	200308560	 Eyebrow (LH)	1	8	200308561	 Eyebrow (RH)	1
9	200316307	 Chassis Mount	2	10	200070949	 Spacer	4
11	200070930	 Flange Nut	2	12	200078903	 75mm Sleeve	2
13	200070931	 67mm Sleeve	2	14	3004517	 U Bolt M10	2

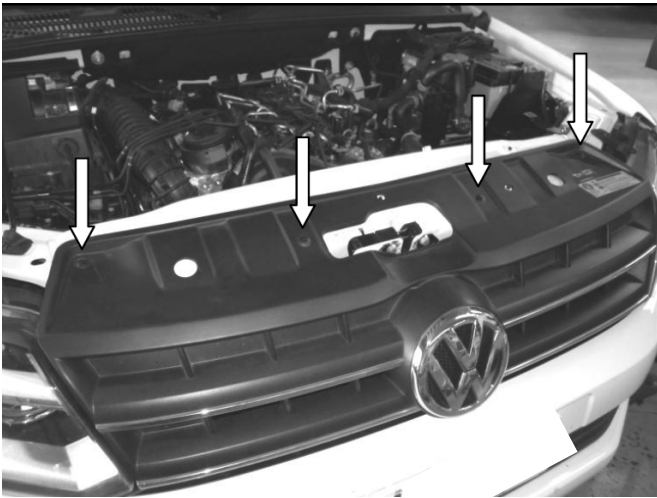
# Fitting Instructions

15	200120188	 Pinch Weld (2000mm)	1				
<b>Hardware kit</b>							
Item	Item No.	Description	QTY				
16	3001490	Hex Nut M10	4				
17	3001504	Hex Nut M12	14				
18	3000161	Spring washer D10	4				
19	3000172	Spring washer D12	16				
20	3000246	Flat washer M10(10x30x2.5mm)	4				
21	3000253	Flat washer M12(12x37x3mm)	30				
22	3001569	Hex flange nut M6	4				
23	3002391	Hex bolt M12x110x30	2				
24	3002996	Hex bolt M12x1.25x90x32	2				
25	3002826	Hex bolt M12x40	10				
26	3002832	Hex bolt M12x45	2				
27	3006351	Package set M6x20 Doom head bolt x Spring washer x Flat washer (OD 18mm)	11				
28	3006267	Package set M6x20 Doom head bolt x Spring washer x Flat washer	6				
29	3000062	Hex wrench S=4	1				

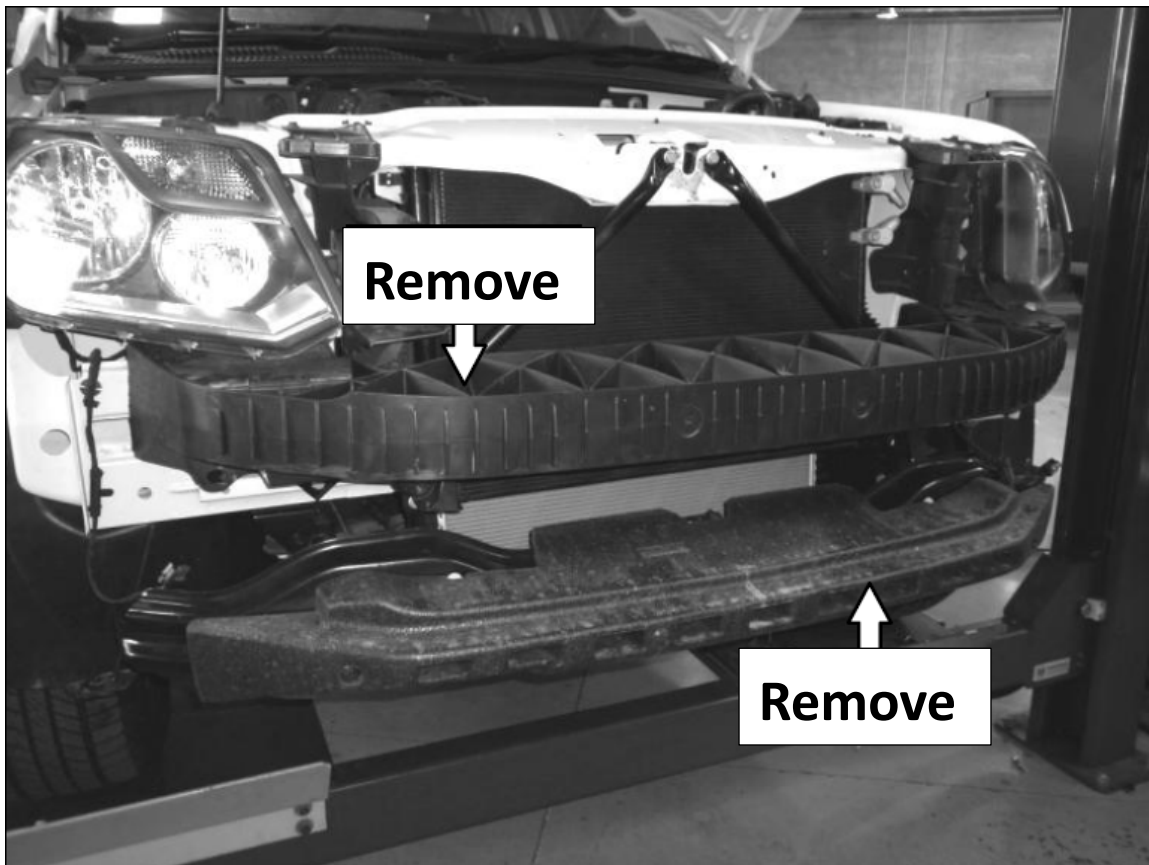
# Fitting Instructions

## 1. Installation Steps:

Remove front surround

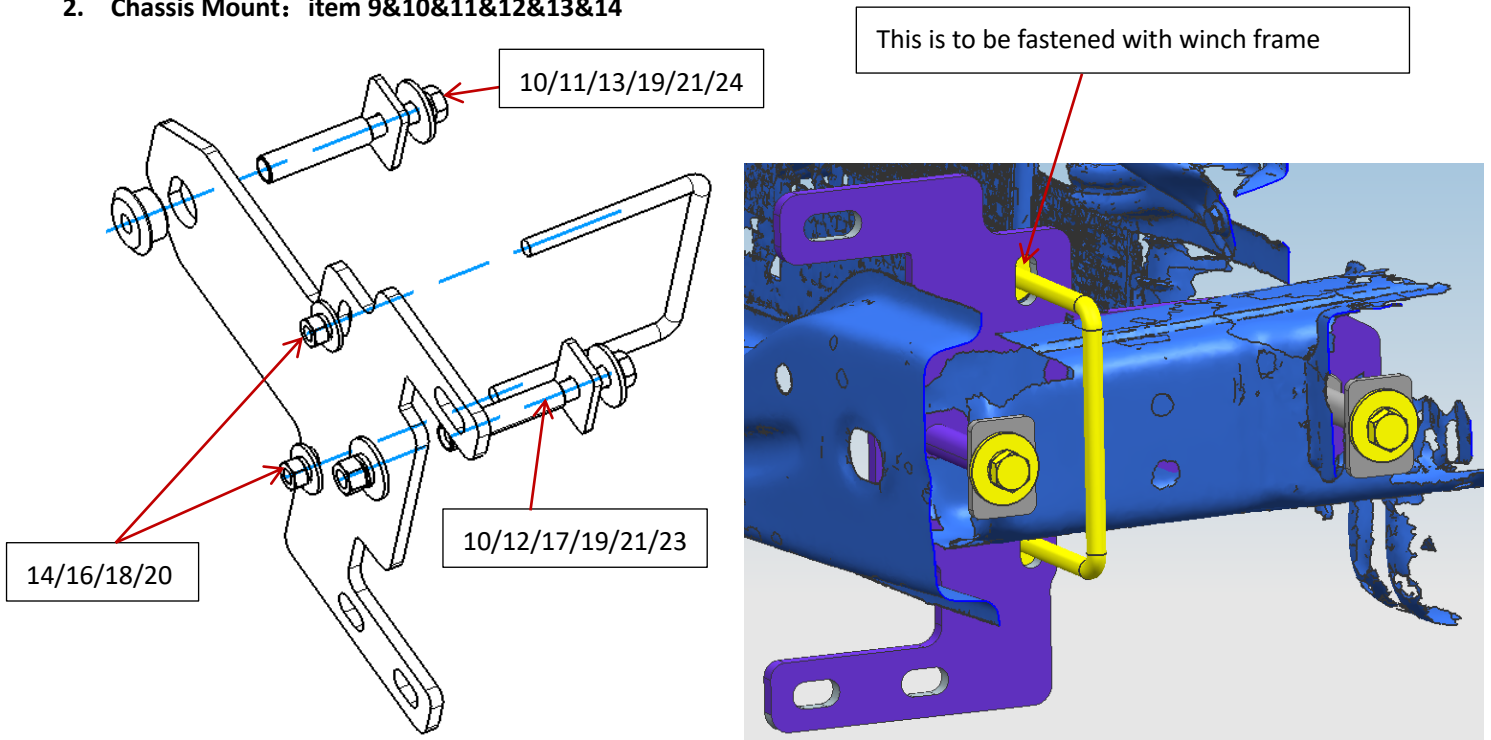


Remove & discard all plastics in front and below beam.  
Remove and discard front intrusion beam and fasteners

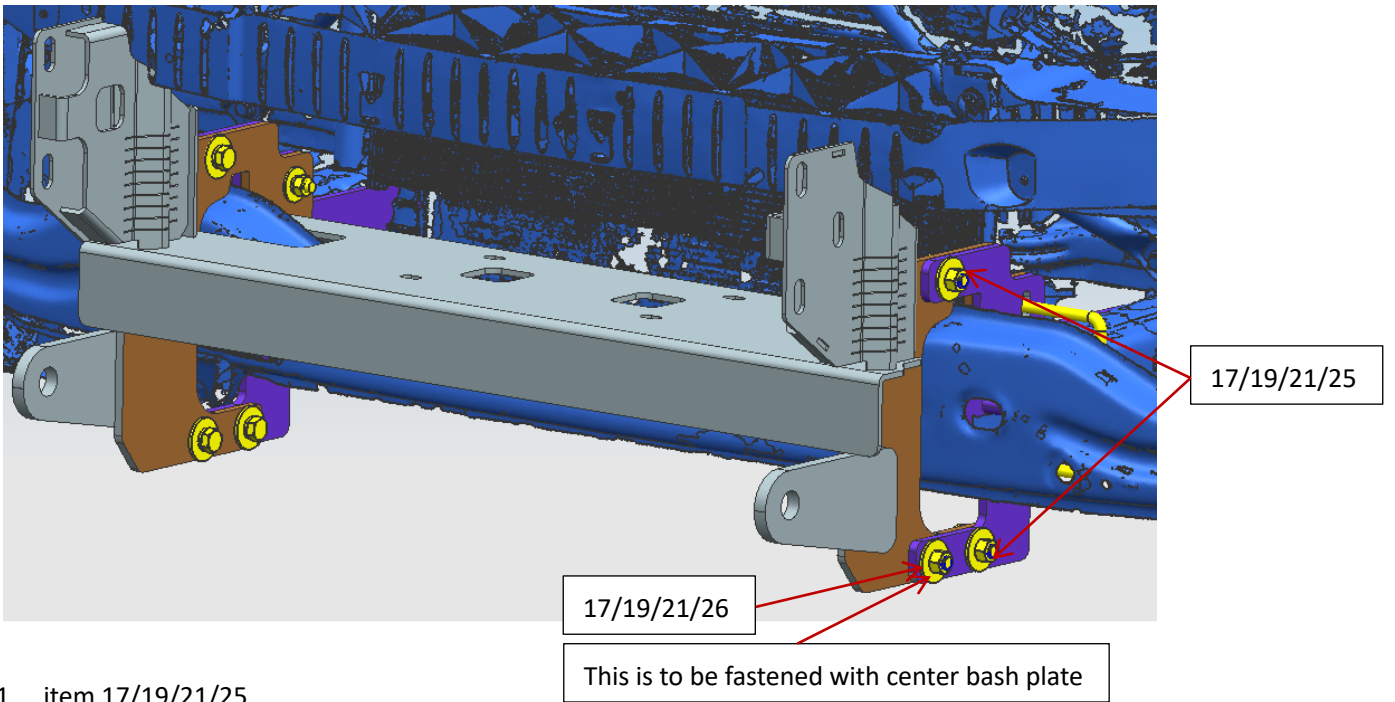


# Fitting Instructions

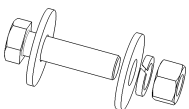
## 2. Chassis Mount: item 9&10&11&12&13&14



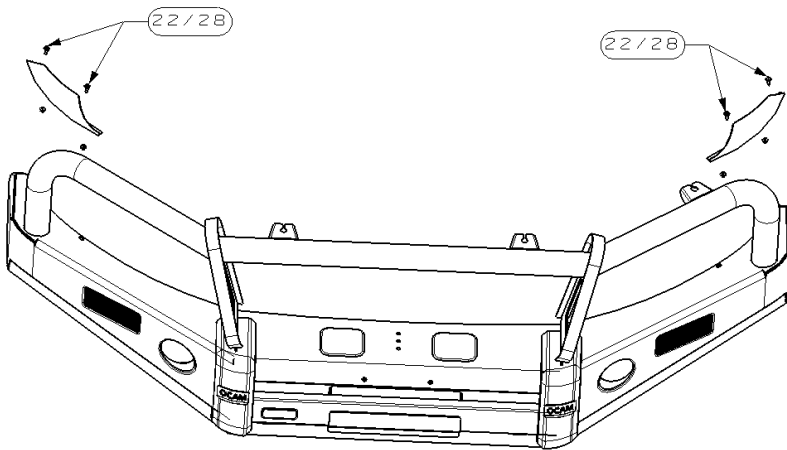
## 3. Winch Frame - item 2



1. item 17/19/21/25  
Hex head bolt M12x40 + M12 spring washer + M12 flat washer + M12 Hex nut
2. item 17/19/21/26  
Hex head bolt M12x45 + M12 spring washer + M12 flat washer + M12 Hex nut

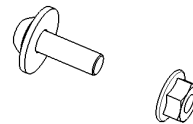


**4. install item 7 & 8**



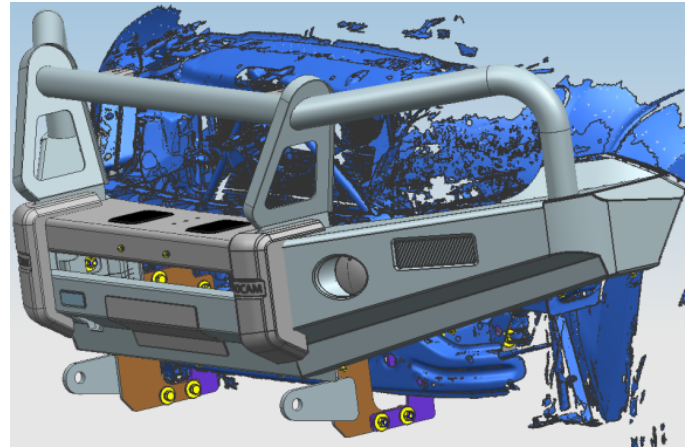
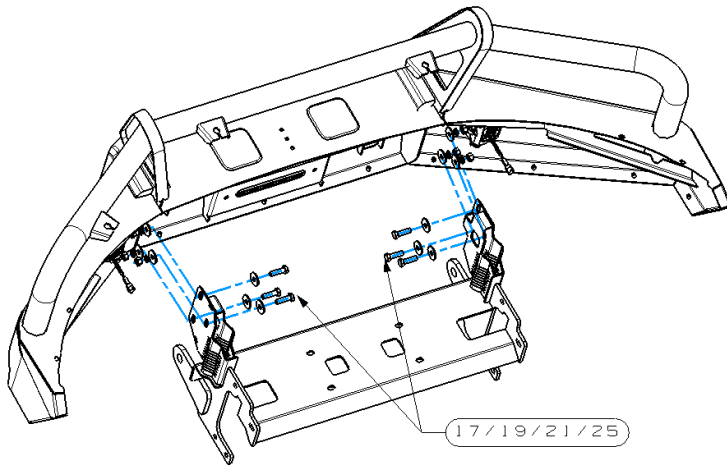
Use below bolt kits:

1. item 22/28:  
Package set M6x20 Doom head bolt x Spring washer x Flat washer (OD 18mm) + M6 flange nut



# Fitting Instructions

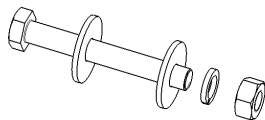
5. install item 1



Use below bolt kits

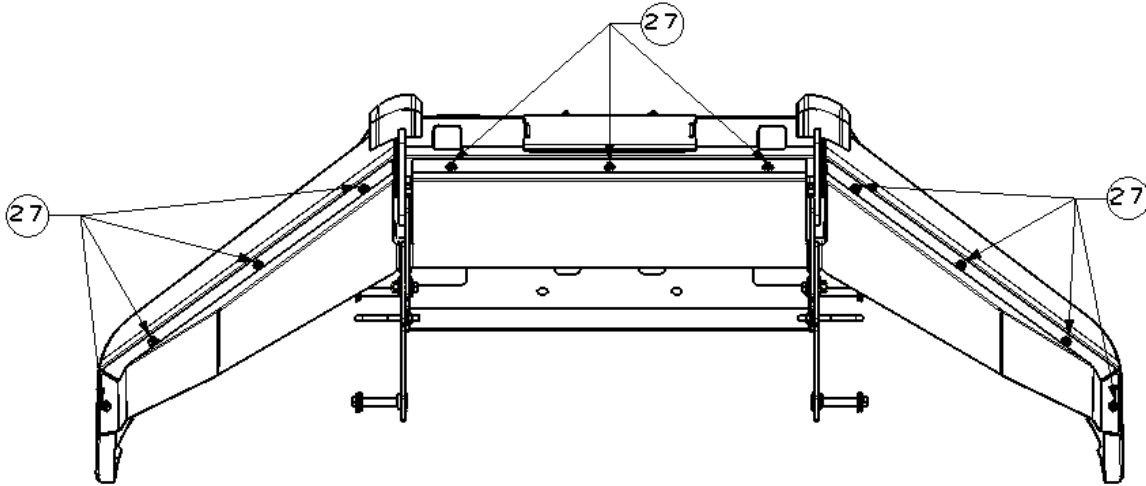
1. item 17/19/21/25

Hex head bolt M12x40 + M12 spring washer + M12 flat washer + M12 Hex nut





**6. install item 3&4&5**



Use below bolt kits:

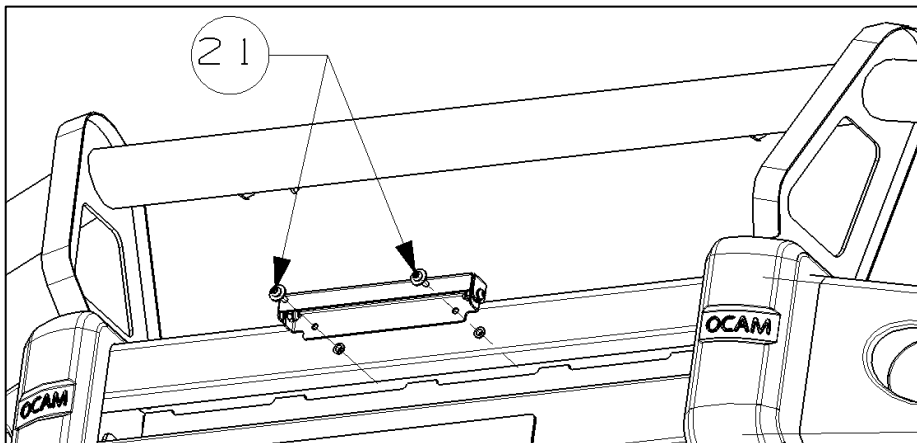
**1. Item 27:**

Package set M6x20 Doom head bolt x Spring washer x Flat washer (OD 18mm)



**7. install item 6**

Using Package set M6x20 Doom head bolt x Spring washer x Flat washer



**8. Test and make sure that the guard is steadily fixed, fully tighten all hardware**

**9. Installation is finished, pick up all tools.**