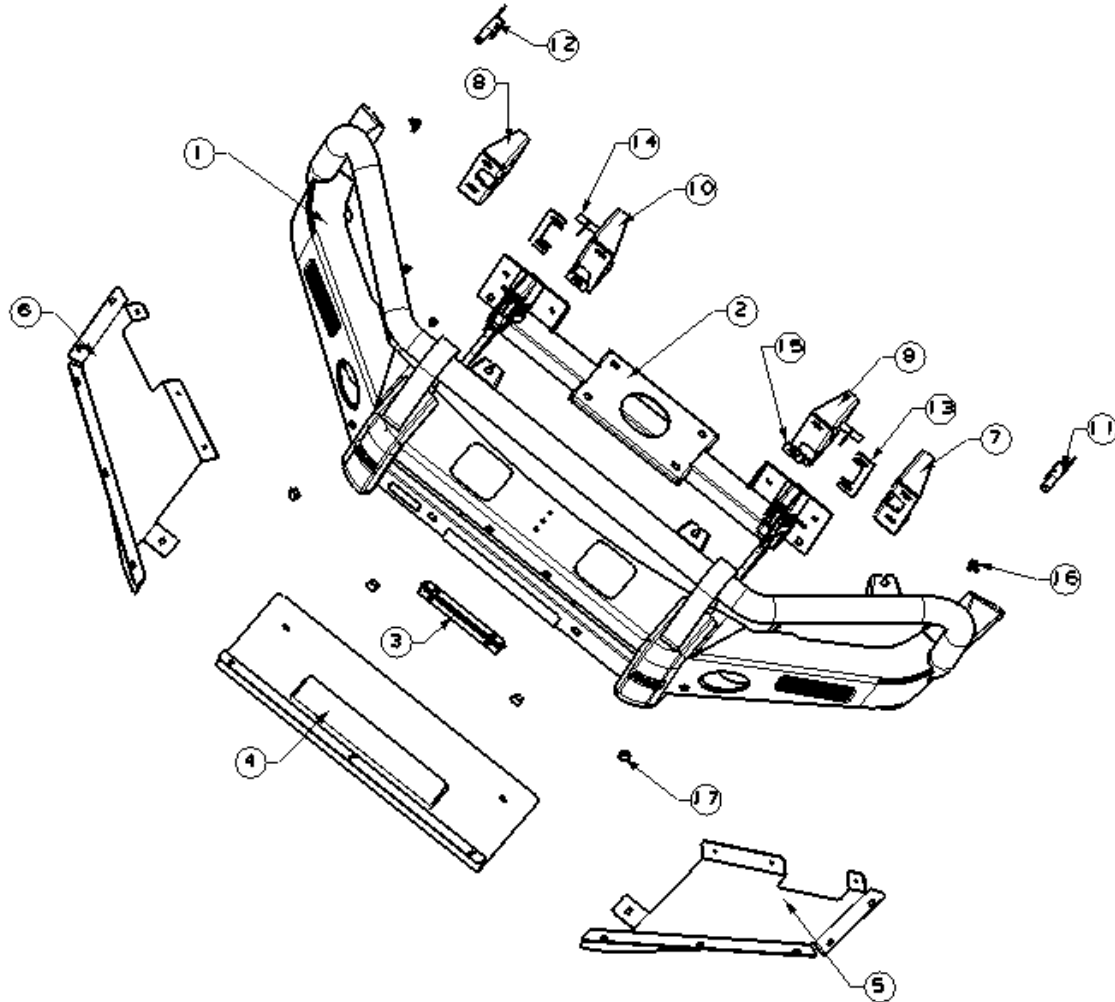


Fitting instruction

Description:	OCAM Deluxe Bull Bar, Heavy Duty Steel, Winch Compatible, ADR Compliant
Model:	For Mazda BT-50 2021+
Item NO.:	BB2-BT50-21



Note:

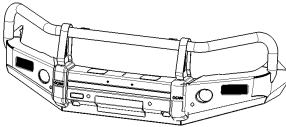
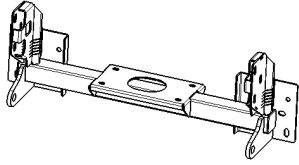

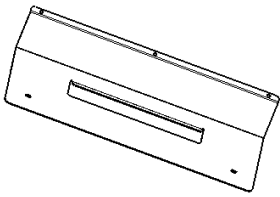
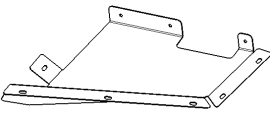
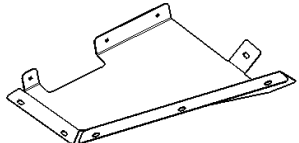
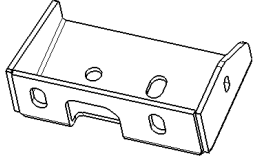
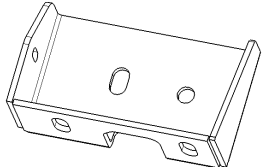
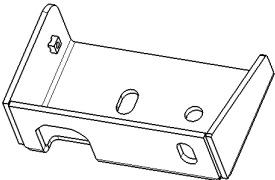
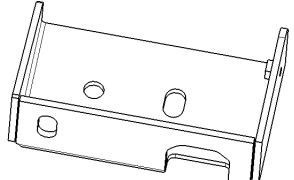
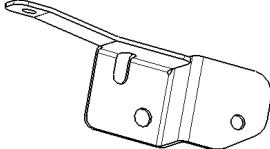
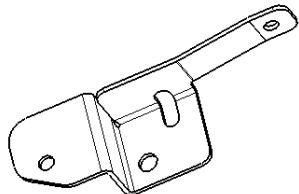
- 1) This bull bar is only suitable for the vehicle make/model/series stated above.
- 2) Do not remove the compliance label.
- 3) Do not change the structure of the bull bar.

Standard locking torque

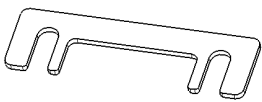
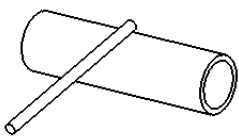
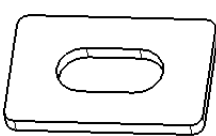
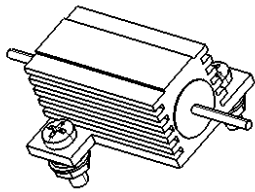
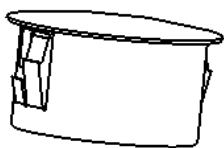
M6 - 11Nm | M8 - 18Nm | M10 - 80 Nm | M12 - 90 Nm | M16 - 90 Nm

Fitting instruction

Part List

Item	Item No.	Description	Qty	Item	Item No.	Description	Qty
#1	200466461	 Bull Bar Assemble	1	#2	200475396	 Winch Frame	1
#3	E280008049	 Number Plate Flip Bracket	1	#4	200466498	 Center Bash Plate	1
#5	200466496	 Side Bash Plate LHS	1	#6	200466497	 Side Bash Plate RHS	1
#7	200477586	 Outer Chassis Bracket LHS	1	#8	200477587	 Outer Chassis Bracket RHS	1
#9	200466627	 Inner Chassis Bracket LHS	1	#10	200466628	 Inner Chassis Bracket RHS	1
#11	200506364	 Headlight Support Bracket LHS	1	#12	200506369	 Headlight Lower Support Bracket	1

Fitting instruction

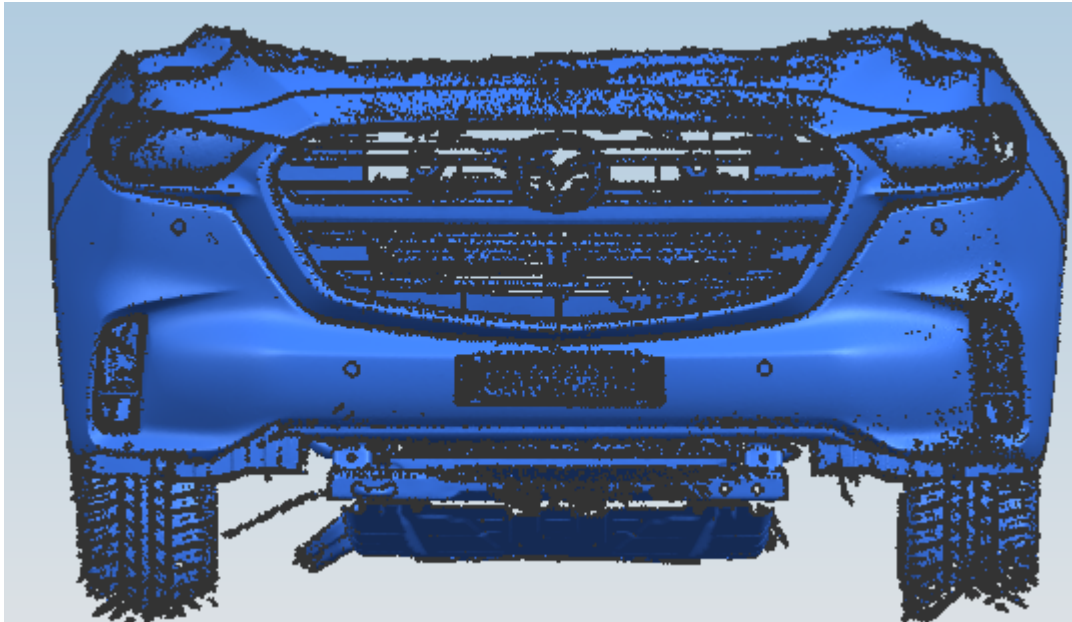
						RHS	
#13	200477597	 Shim 1	2	#14	200492783	 Crush Tube	2
#15	200496091	 Shim 2	2	#16	200425688	 Resistor (25W 8Ω)	2
#17	E280006589	 Nylon Rubber PIUG	4				

Hardware kit

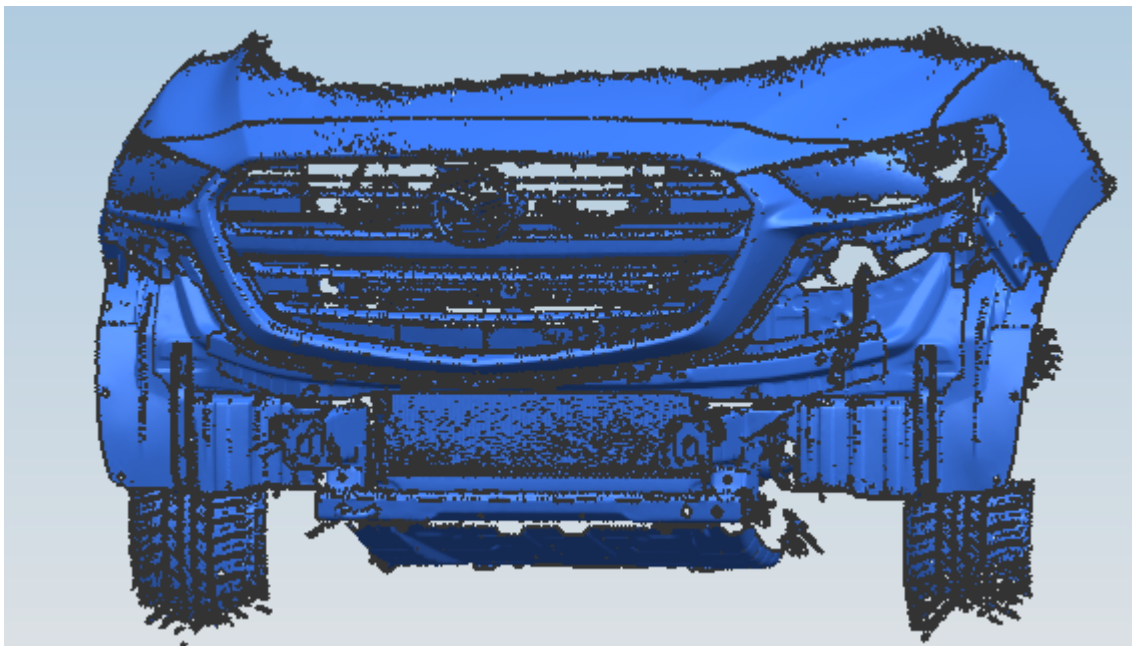
Item	Item No.	Description	Qty
18	3002880	Hex Head Bolt (Full Thread) M12_90	4
19	3002822	Hex Head Bolt (Full Thread) M12_40	12
20	3003021	Hex Head Bolt (Full Thread) (Thin Thread) M10x1.25_30	4
21	3001505	Hex Nut M12	16
22	200458777	Hex Flange Bolt (Pinning Bolt) M10_30	2
23	3000171	Spring Washer D12	16
24	3000160	Spring Washer D10	4
25	3000245	Large Washer D10(10x30x2.5mm)	4
26	3004967	Non-standard Washer D12_32_3	32
27	3006351	Dome Head Bolt、Spring Washer、Large Washer (OD18mm) M6_20	25
28	3000222	Large Washer D6(6x18x1.6mm)	2
29	3001569	Flange Nut M6	8

1. Installation Steps:

Remove OEM Bumper

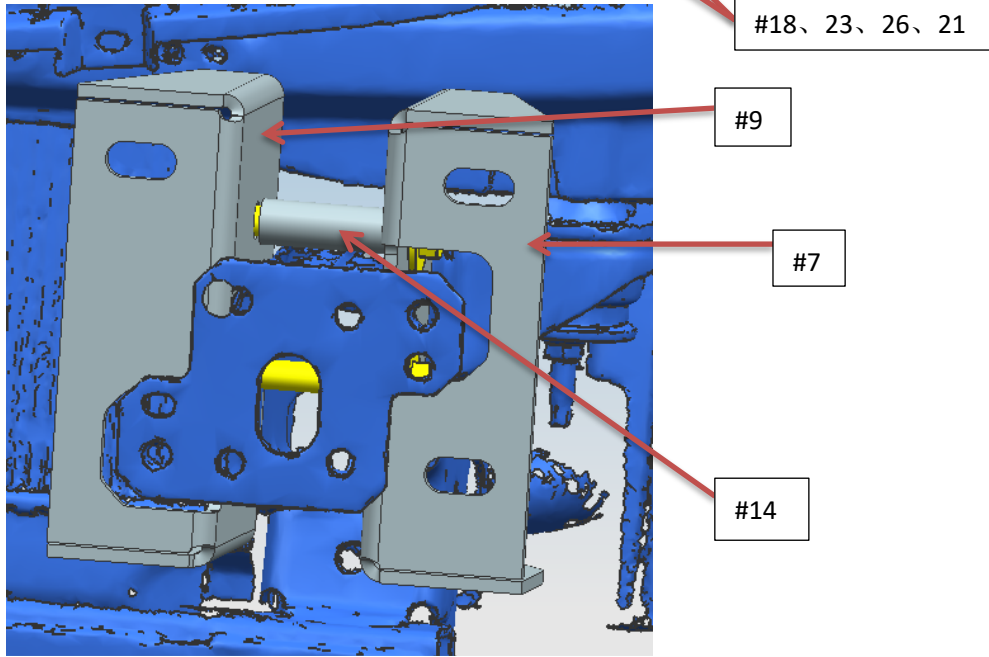
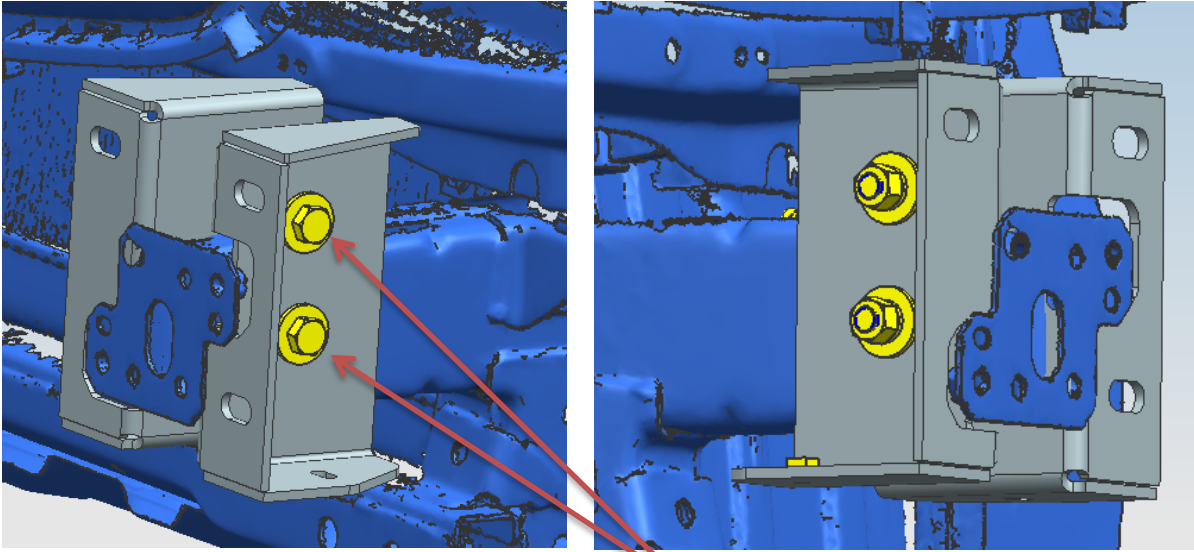


Remove & discard all plastics in front and below beam.
Remove and discard front intrusion beam and fasteners.



Fitting instruction

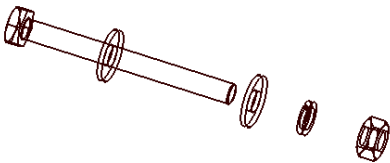
2. Chassis Brackets: item #7&8&9&10(LHS showed as following, repeat this step for RHS)



Use below bolt kits:

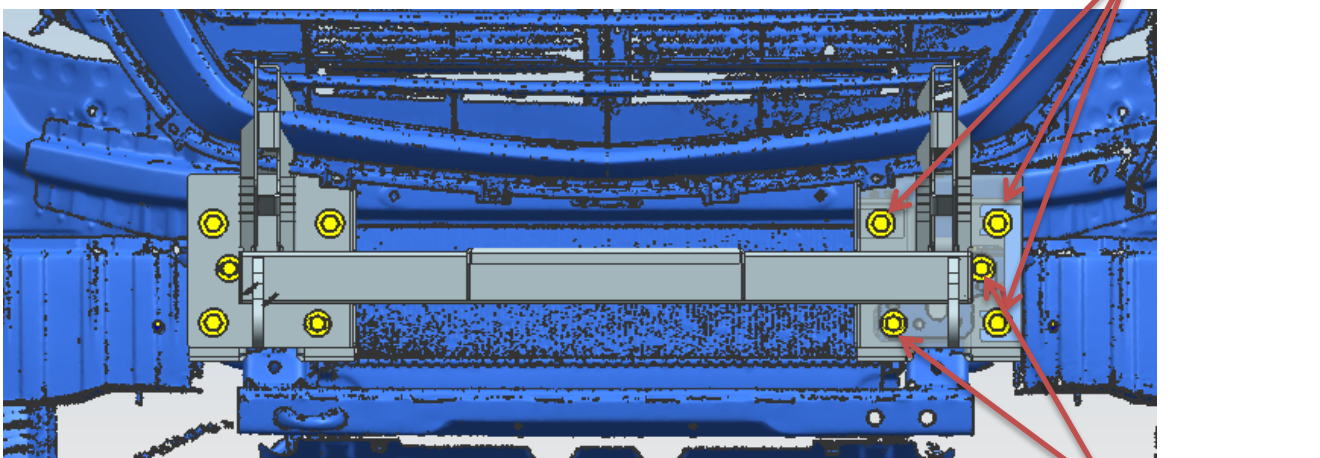
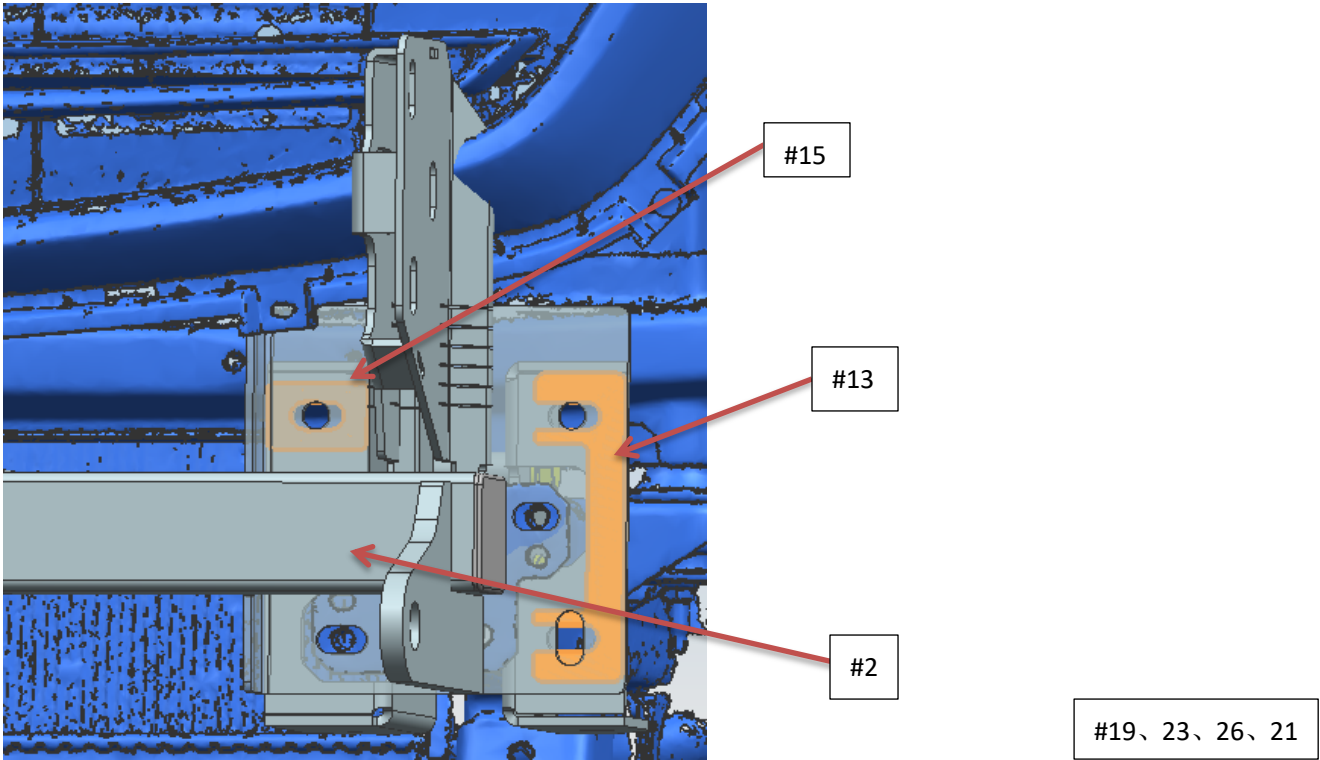
Item #18/23/26/21: (2)

Hex head bolt M12x1.75_90 + M12spring washer+ M12 washer+ M12x1.75 Nut



Fitting instruction

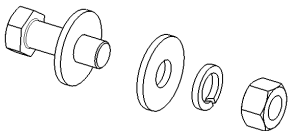
3. Install item #2&13&15



Use below bolt kits:

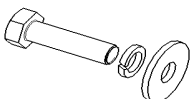
Item #19/23/26/21: (6)

Hex head bolt M12x1.75_40+M12spring washer+M12 washer+ M12x1.75 Nut



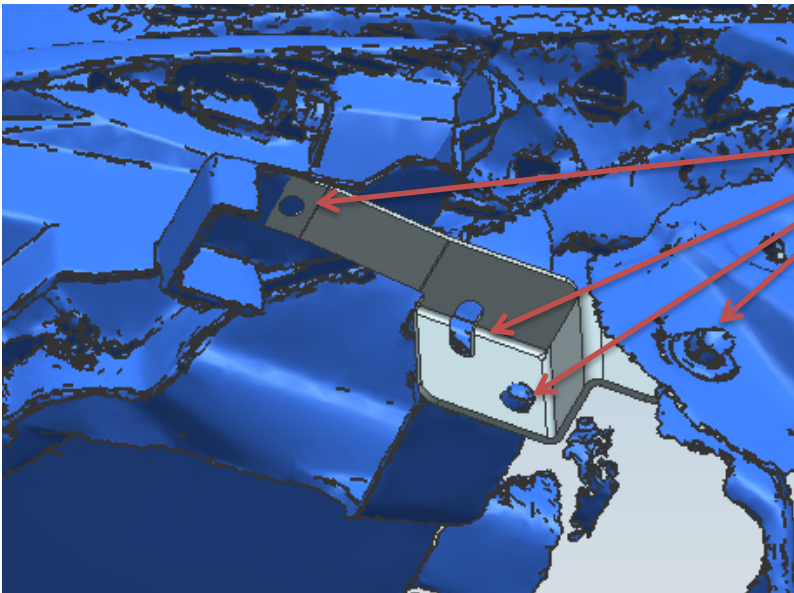
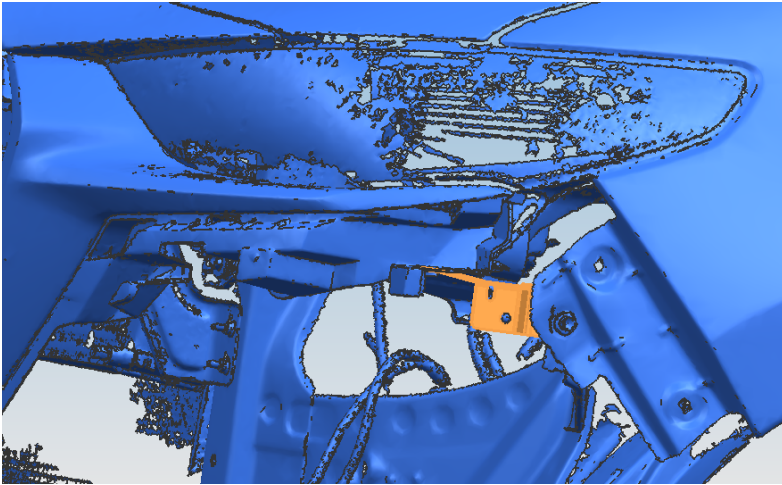
Item #20/25/24: (4)

Hex head bolt M10x1.25_30+M10spring washer+M10 washer



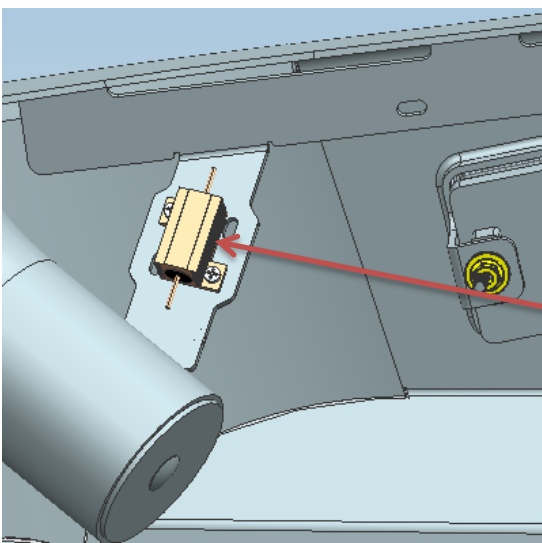
Fitting instruction

4. Install item #11/12



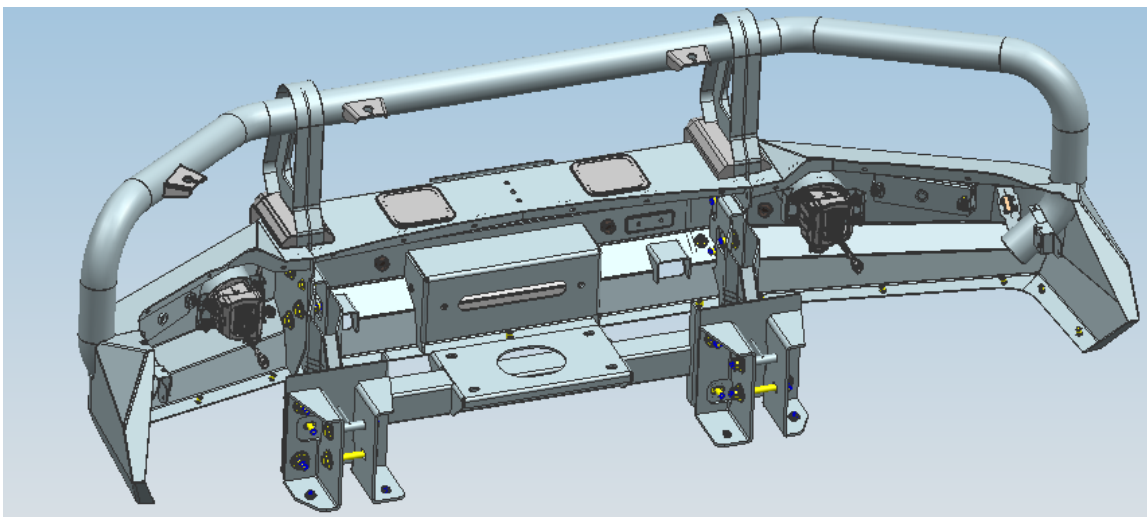
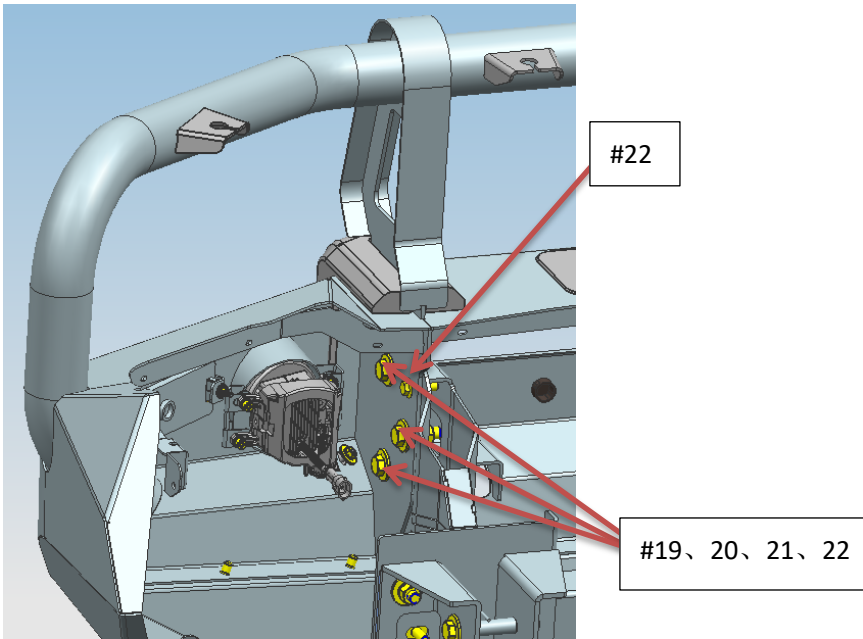
Install the headlight bracket using the OEM bolt installation

5. Install item #1 & 16



#16 Install the resistor with its own standard component

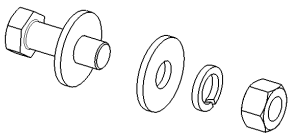
Fitting instruction



Use below bolt kits:

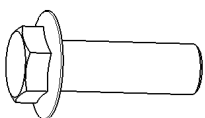
1. Item #19/20/21/22: (6)

Hex head bolt M12x1.75_40+M12spring washer+M12 washer+ M12x1.75 Nut



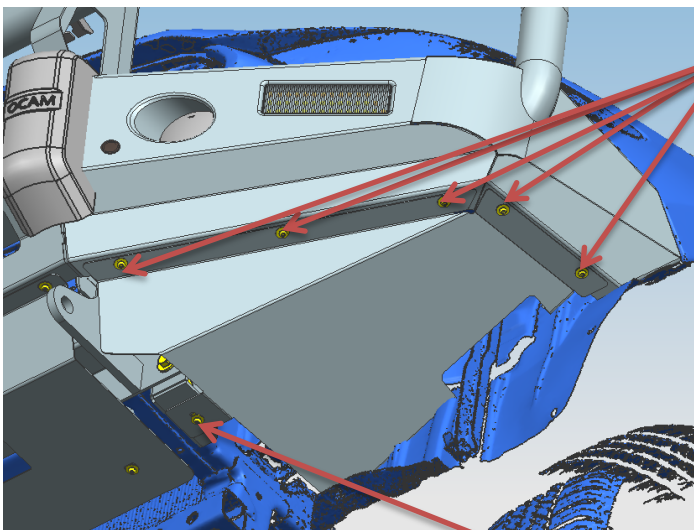
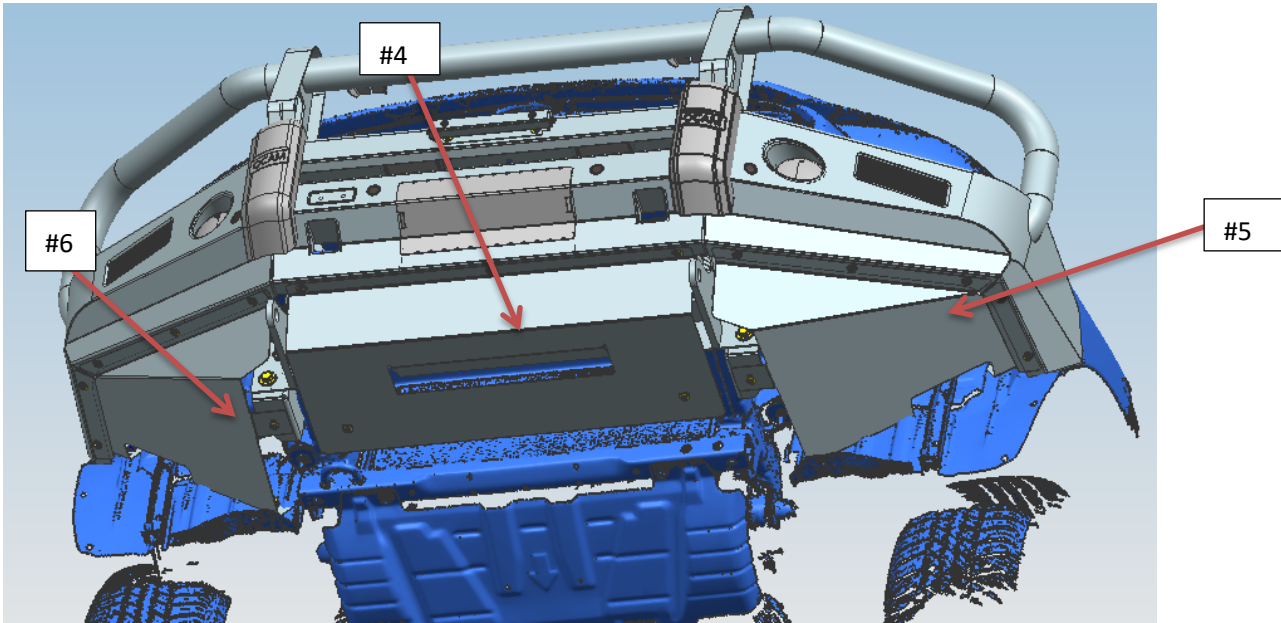
2. Item #22: (2)

Hex Flange Bolt (Pinning Bolt) M10_30



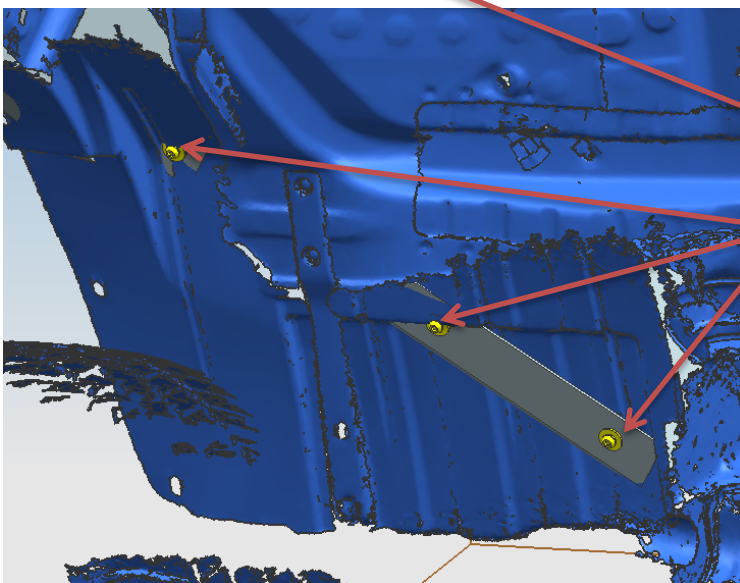
Fitting instruction

6. Install item #4&5&6



#27

Please use below bolt kits:
Item #27: (12)
Combo Hardware - Dome Head Bolt, Spring Washer, Flat Washer M6_20



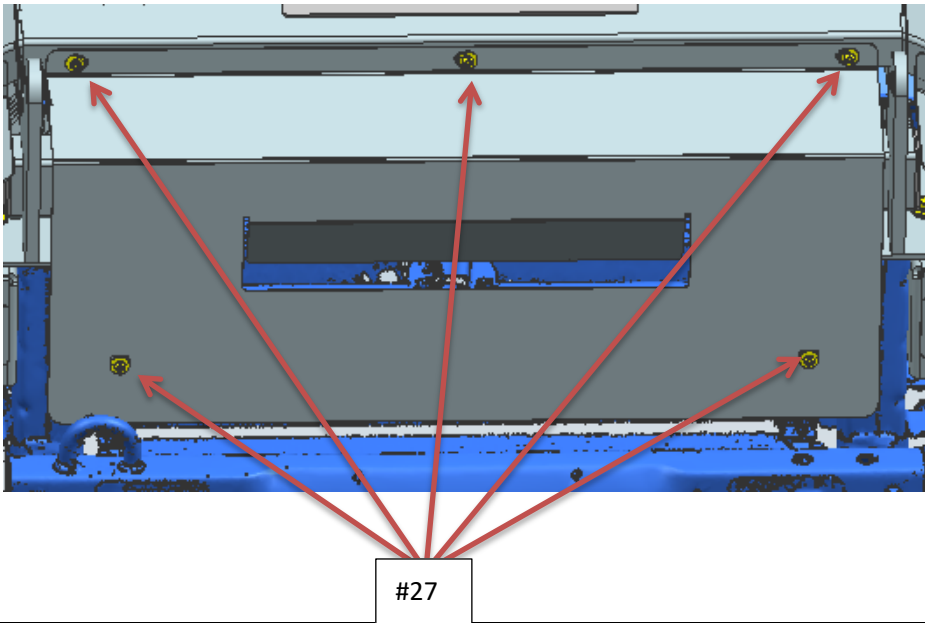
#27、28、29

#27、29

Please use below bolt kits:
Item #27/29: (3)
Combo Hardware - Dome Head Bolt, Spring Washer, Flat Washer M6_20+ M6 flange Nut



Fitting instruction



Please use below bolt kits:

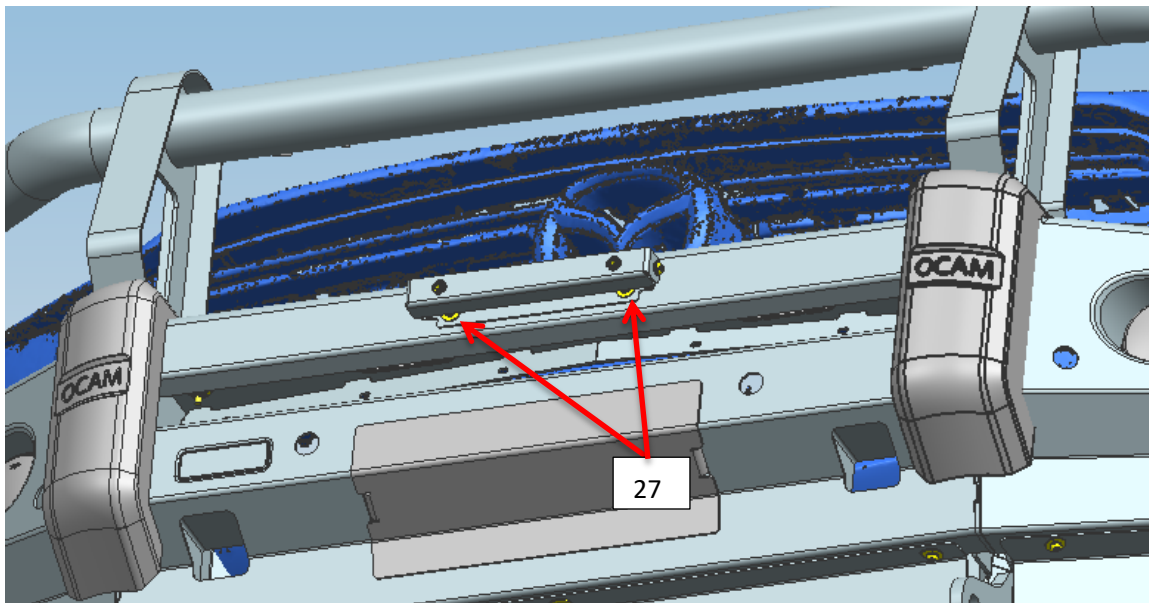
Item #27: (12)

Combo Hardware - Dome Head Bolt,
Spring Washer, Flat Washer M6_20



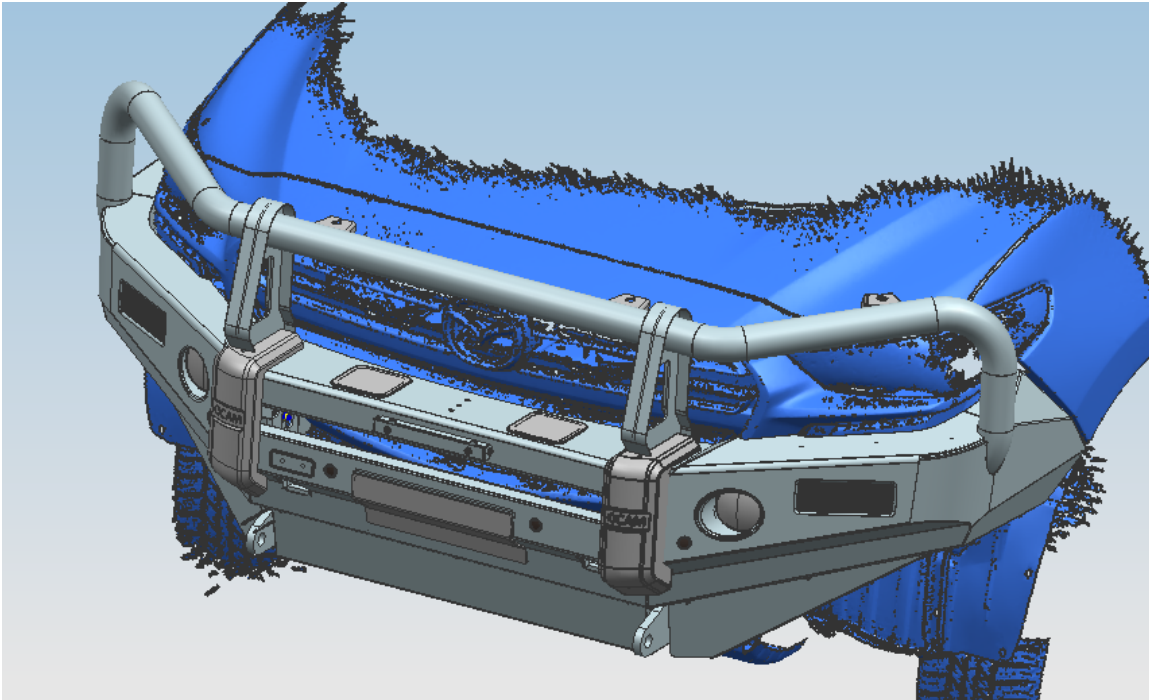
7. install item 3:

Using Combo hardware - M6x20 Dome head bolt x Spring washer



8. Test and make sure that the guard is steadily fixed, fully tighten all hardware

Fitting instruction



9. Installation is complete.
