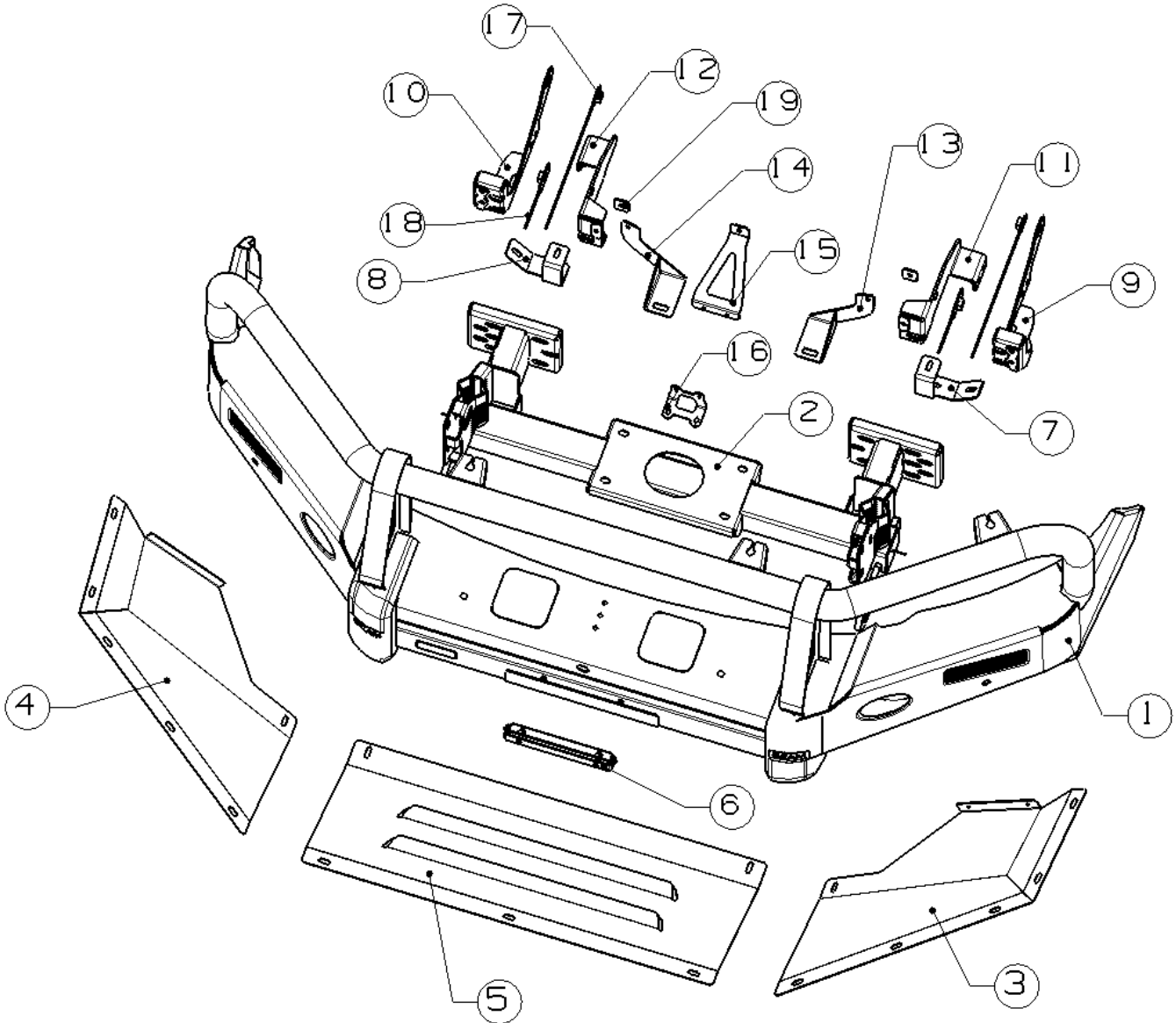


# Fitting Instructions

Description:	OCAM Deluxe Bull Bar, Heavy Duty Steel, Winch Compatible, ADR Compliant
Model:	For GWM Cannon 2020-Current
Item NO.:	BB2-Cannon-20



**Note:**

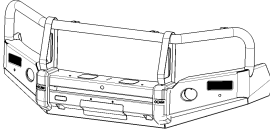
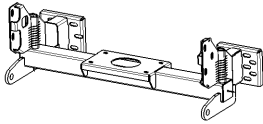
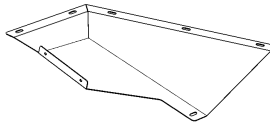
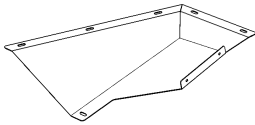
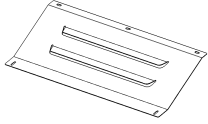

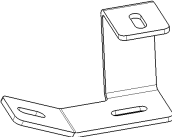
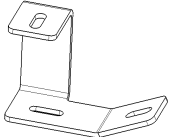
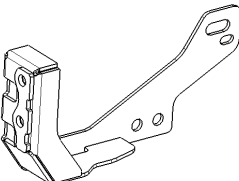
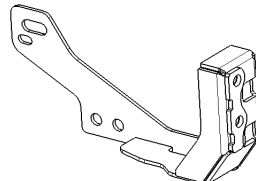
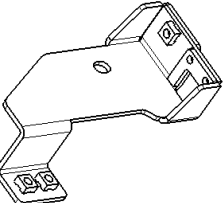
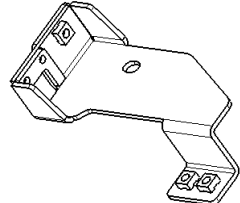
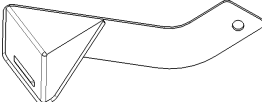
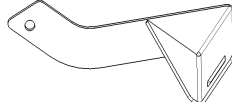
- 1) This bull bar is only suitable for the vehicle make/model/series stated above.
- 2) Do not remove the compliance label.
- 3) Do not change the structure of the bull bar.

**Standard locking torque**

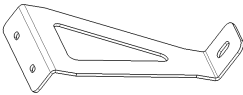
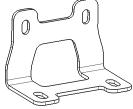

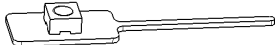
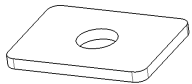
M6 - 11Nm | M8 - 18Nm | M10 - 80 Nm | M12 - 90 Nm | M16 - 90 Nm

# Fitting Instructions

## Bom list

Item	Item NO.	Description	Qty	Item	Item NO.	Description	Qty
1	200426650	 Bull bar assemble	1	2	200428727	 Winch Frame	1
3	200428554	 Bash plate LHS	1	4	200428555	 Bash plate RHS	1
5	200428553	 Center Bash Plate	1	6	E28000804 9	 Number Plate Hinge Bracket	1
7	200428662	 Side bash plate bracket LHS	1	8	200428664	 Side bash plate bracket RHS	1
9	200428427	 Outer chassis bracket LHS	1	10	200428465	 Outer chassis bracket RHS	1
11	200428335	 Inner chassis bracket LHS	1	12	200428471	 Inner chassis bracket RHS	1
13	200451858	 OEM bash plate	1	14	20045859	 OEM bash plate bracket	1

# Fitting Instructions

		bracket LHS				RHS	
15	200421957	 OEM grill support bracket	1	16	200411537	 Camera relocation bracekt	1
17	E28001290 3	 Nut plate on wire long M12x1.75	2	18	200411608	 Nut plate on wire short M12x1.75	2
19	200428726	 M10 square spacer	2				

## Hardware kit

Item	Item NO.	Description	Qty
<a href="#">20</a>	2001165640 1	M8 Cage nut	2
<a href="#">21</a>	3000129	Spring washer M6	1
<a href="#">22</a>	3000136	Spring washer M6	27
<a href="#">23</a>	3000161	Spring washer M10	12
<a href="#">24</a>	3000172	Spring washer M12	10
<a href="#">25</a>	3000222	Flat washer M6(6x18x1.6mm)	35
<a href="#">26</a>	3000226	Flat washer M6(6x18x1.6mm)	1
<a href="#">27</a>	3000246	Flat washer M10(10x30x2.5mm)	2
<a href="#">28</a>	3000281	Flat washer M5(5x10x1mm)	4
<a href="#">29</a>	3001101	Self tapping screw M5_16	2
<a href="#">30</a>	3001387	Nyloc nut M5	2
<a href="#">31</a>	3001504	Hex nut M12	6
<a href="#">32</a>	3001540	Hex nut M10x1.25	2
<a href="#">33</a>	3001569	Flange nut M6	11
<a href="#">34</a>	3002511	Hex bolt (full thread)M6_16	2
<a href="#">35</a>	3002519	Hex bolt (full thread)M6_20	19
<a href="#">36</a>	3002529	Hex bolt (full thread)M6_25	6
<a href="#">37</a>	3002541	Hex bolt (full thread)M6_30	1
<a href="#">38</a>	3002712	Hex bolt (full thread)M10_35	10
<a href="#">39</a>	3002814	Hex bolt (full thread)M12_35	10

# Fitting Instructions

<a href="#">40</a>	3003039	Hex bolt (full thread)M10x1.25_45	2
<a href="#">41</a>	3004966	Flat washer M12_32_3	16
<a href="#">42</a>	3005394	Flat washer M10_24_2.2	10
<a href="#">43</a>	3006267	Combo hardware: dome head bolt + spring washer + flat washer M6_20	2

# Fitting Instructions

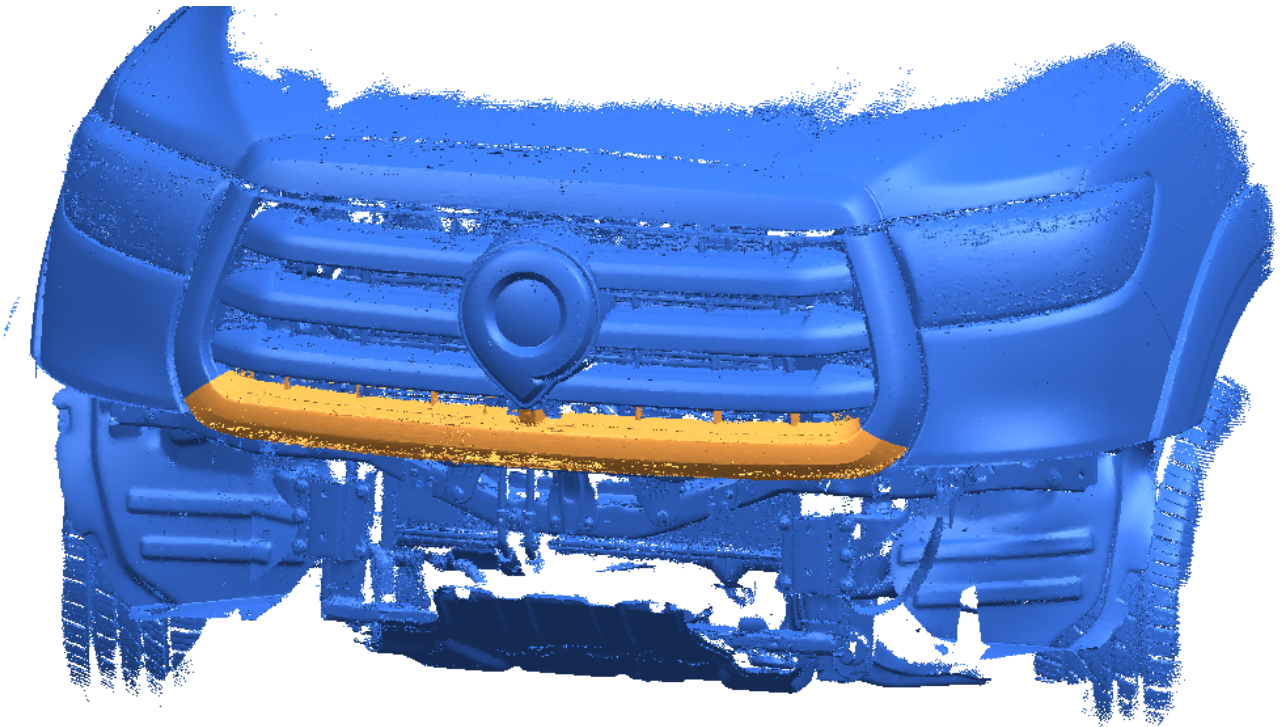
---

## 1. Installation Steps:

**Remove front bumper**



Remove & discard all plastics in front and below beam.  
Remove and discard front intrusion beam and fasteners



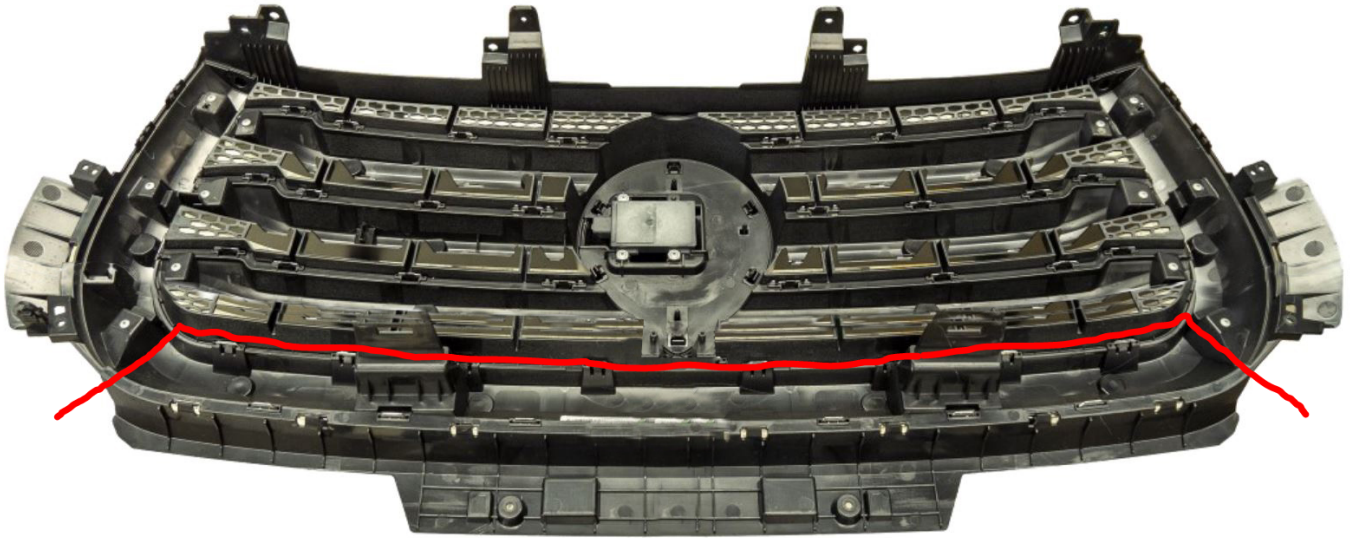
Trim the OEM Grill along below red line

---

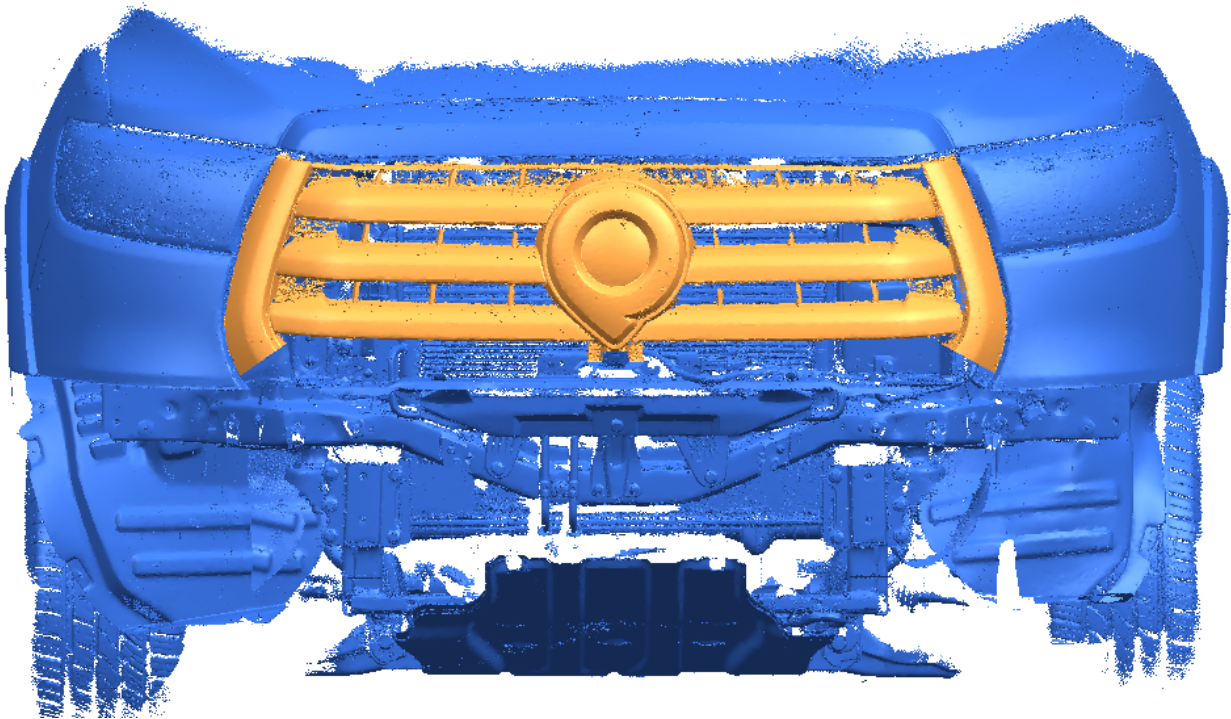


# Fitting Instructions

---

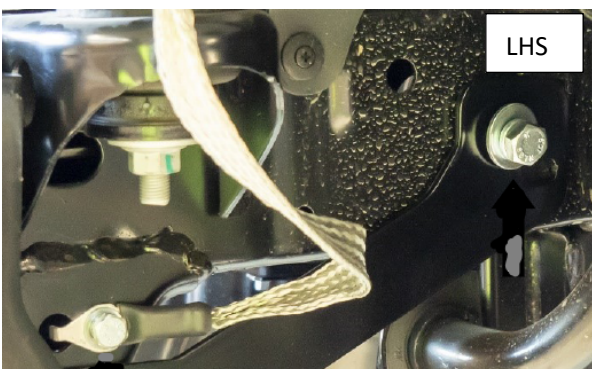
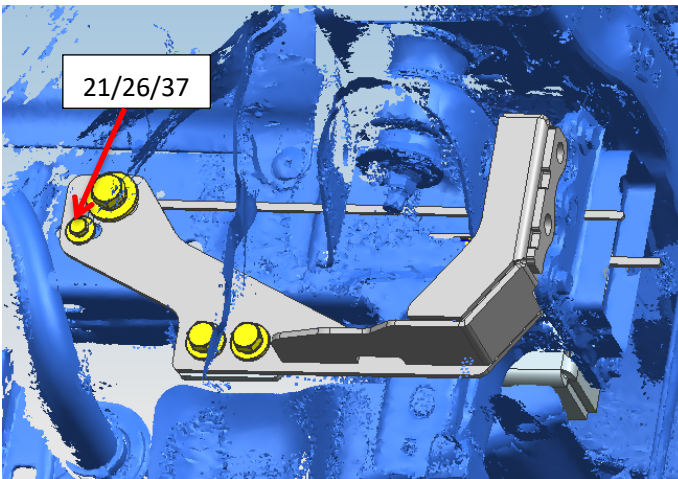
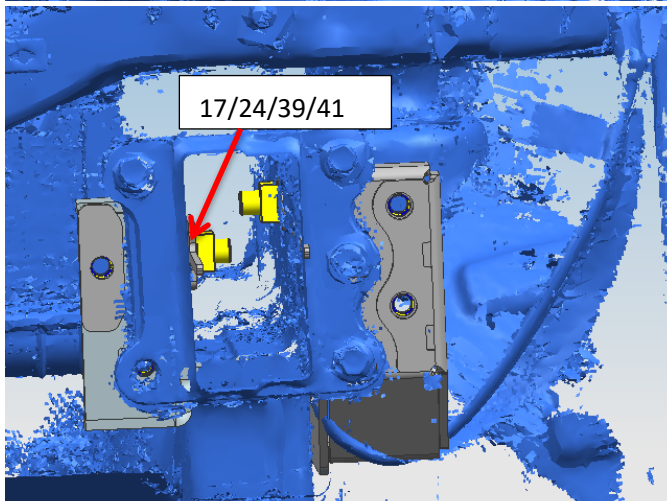
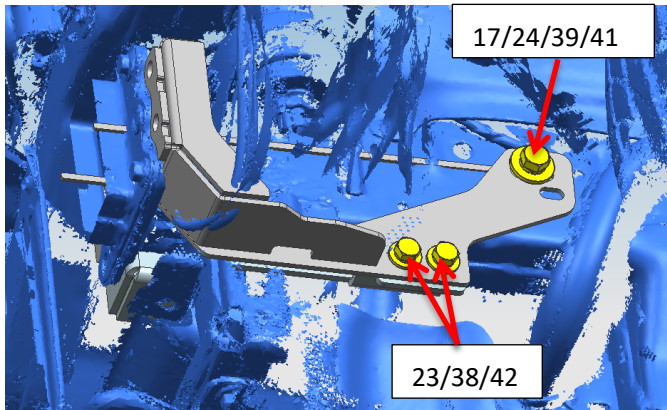


Below is the trimmed OEM grill . Please be aware to keep the mounting holes of the camera (Not be trimmed).



# Fitting Instructions

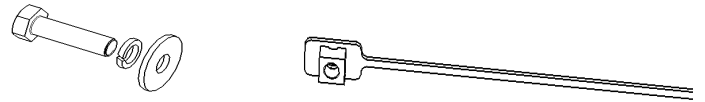
## 2. Chassis Mount: item 9&10&11&12 (LHS)



Use below bolt kits: (1)

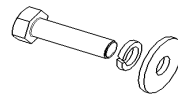
1. Item 17/24/39/41:

Hexagonal head bolt M12x1.75\_35+M12spring washer+M12 washer+ Nut plate on wire long M12x1.75



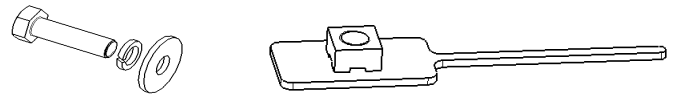
2. Item 23/38/42: (2)

Hexagonal head bolt M10x1.5\_35+ M10 spring washer+M10 flat washer



3. Item 18/24/39/41: (1)

Hexagonal head bolt M2x1.75\_35+ M12 spring washer+M12 Washer+ Nut plate on wire short M12x1.75



4. Item 21/26/37: (1)

Hexagonal head bolt M6\_30+ M6 spring washer+M6 Washer (SUS304)

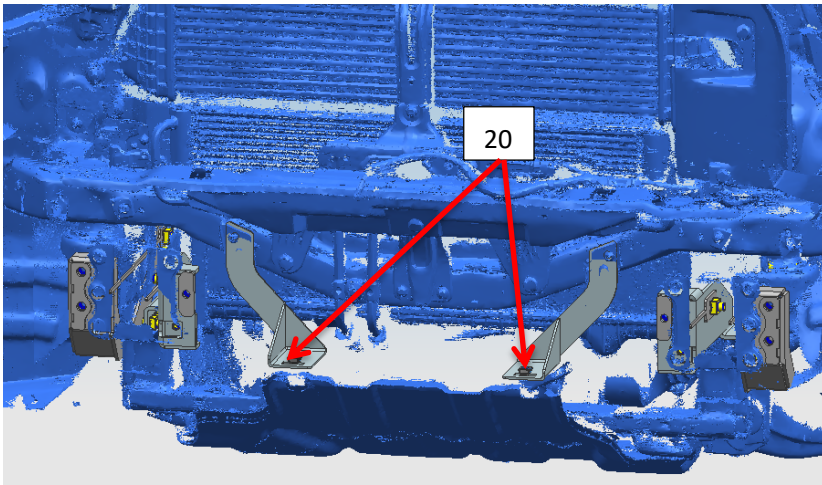
Tie-down RHS earth

5. Use OEM bolt to tie-down LHS earth. The mounting hole need to be drilled to 8mm.



# Fitting Instructions

## 3. install item 13/14&item 2



Need use below bolt kits:

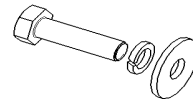
1. Item 20: (2)

Use M8 cage nut & OEM fastener to install OEM bash plate



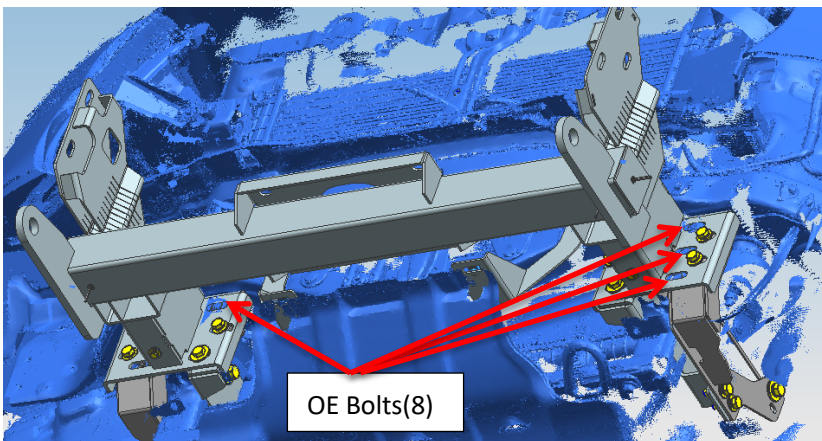
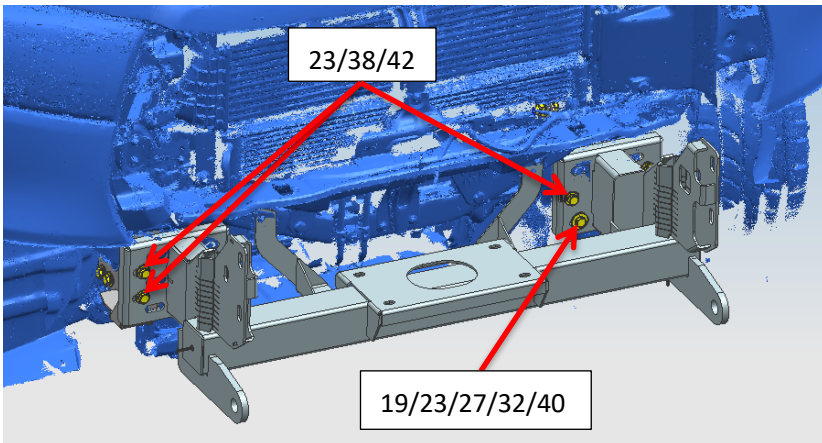
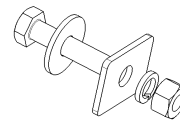
2. Item 23/38/42: (6)

Hexagonal head bolt M10\_35+ M10 spring washer+M10 washer



3. Item 19/23/27/32/40: (2)

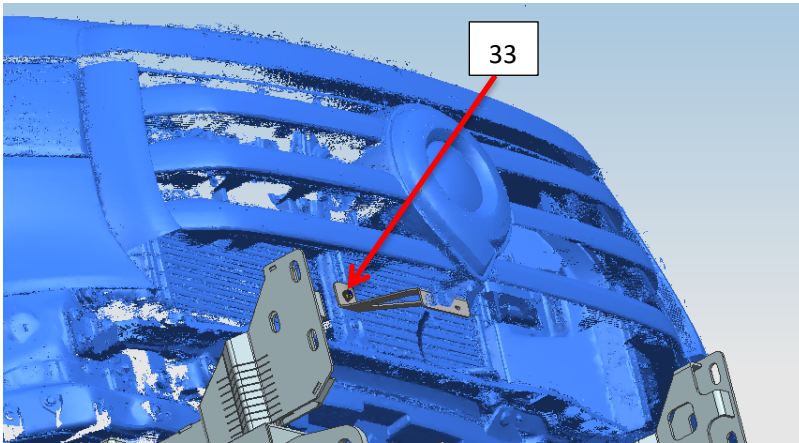
Hex head bolt M10x1.25\_45+ M10 spring washer+M10 washer +M10x1.25 nut+M10 square spacer





# Fitting Instructions

## 4. Install item 15 (安装原车中网)



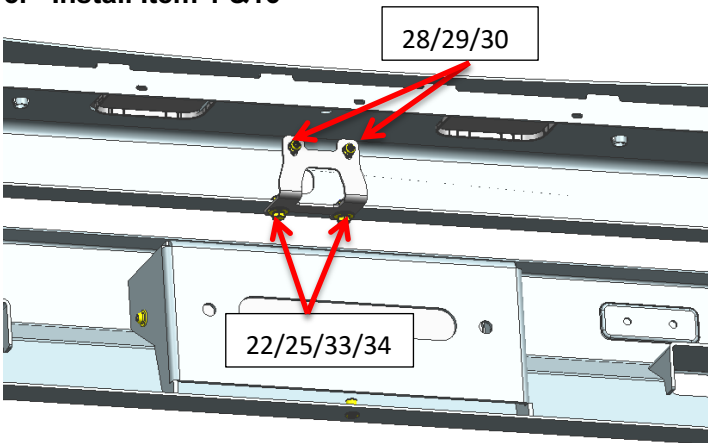
Need use below bolt kits:

- Item 33: (1)

Use M6 Flange Nut to install the OEM grill support bracket to the OEM bolt. And to use OEM fastener to secure the OEM grill on the other side.



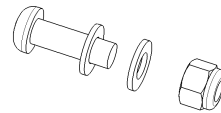
## 5. Install Item 1 & 16



Need use below bolt kits:

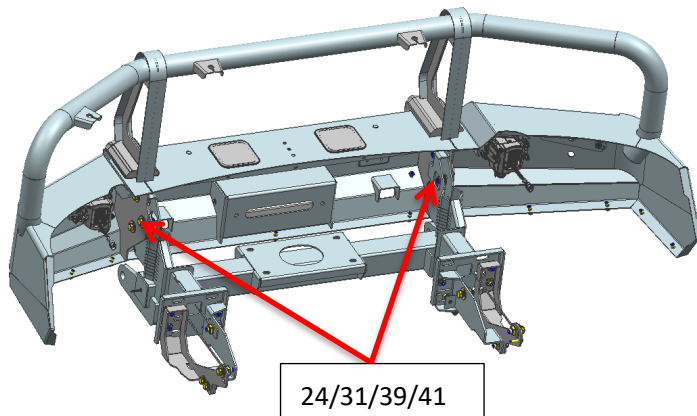
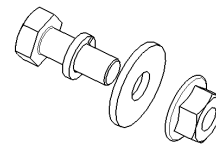
- Item 28/29/30: (2)

Hexagon socket head bolt M5\_16+M5 washer +M5 nylon nut to install OEM camera



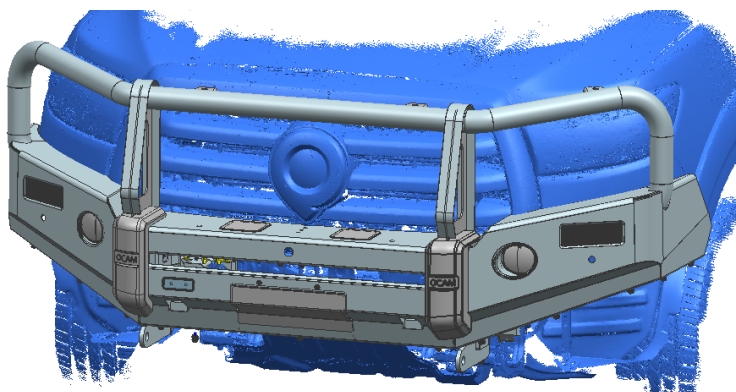
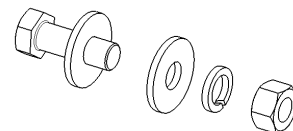
- Item 22/25/33/34: (2)

Hex head bolt M6\_16+ M6 spring washer+M6 flat washer+M6 Flange Nut to install camera relocation bracket inside the bulbar channel



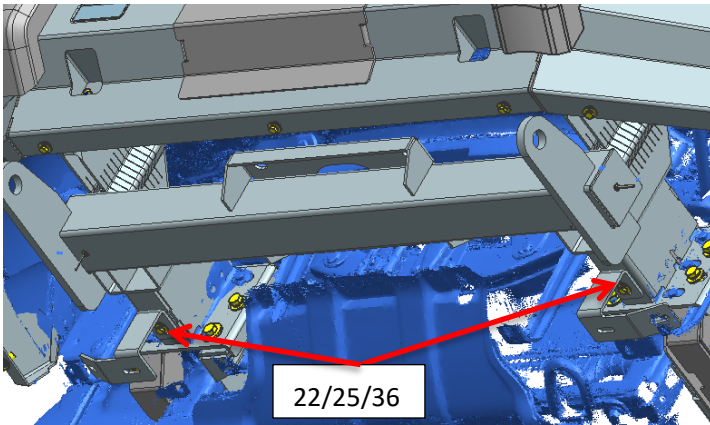
- Item 24/31/39/41: (6)

Hexagonal head bolt M2x1.75\_35+ M12 spring washer+M12 washer +M12 Hexagon nut



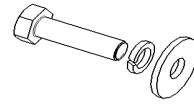
# Fitting Instructions

## Install item 7&8

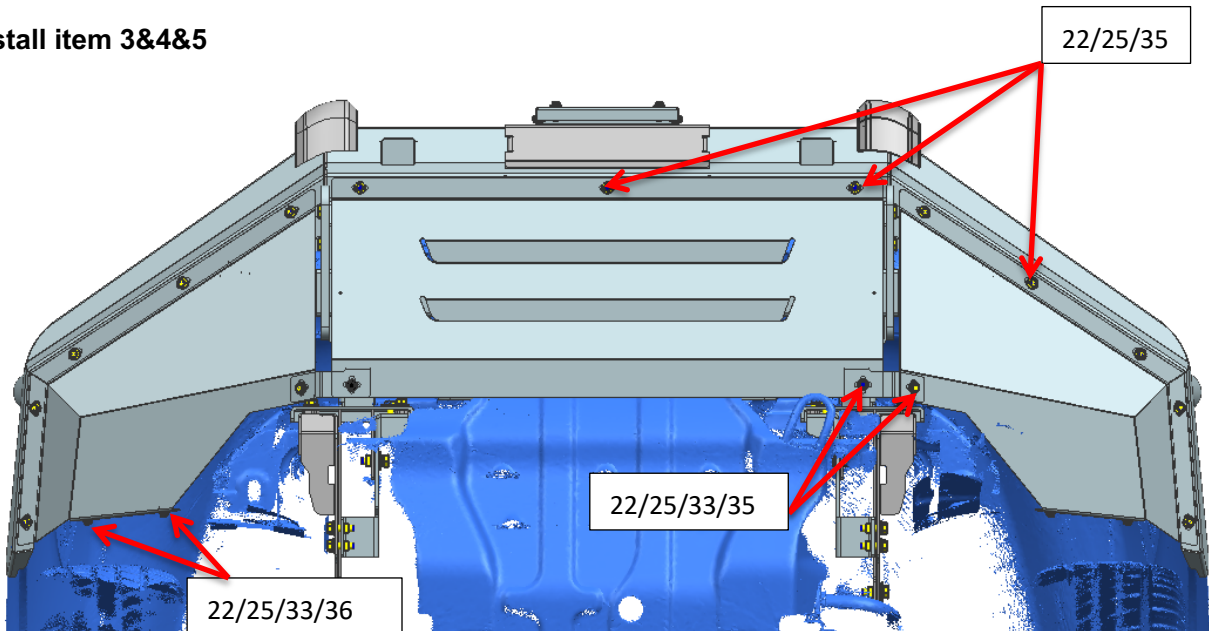


Need use below bolt kits:

- Item 22/25/36: (2)  
Hexagonal head bolt M6\_25+ M6  
spring washer+M6 washer

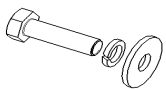


## 6. Install item 3&4&5

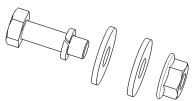


Need use below bolt kits:

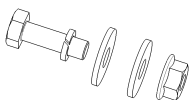
- Item 22/25/35: (13)  
Hexagonal head bolt M6\_20+ M6 spring washer+M6 washer



- Item 22/25/33/35: (4)  
Hexagonal head bolt M6\_20+ M6 spring washer+M6 washer+ M6 Flange Nut



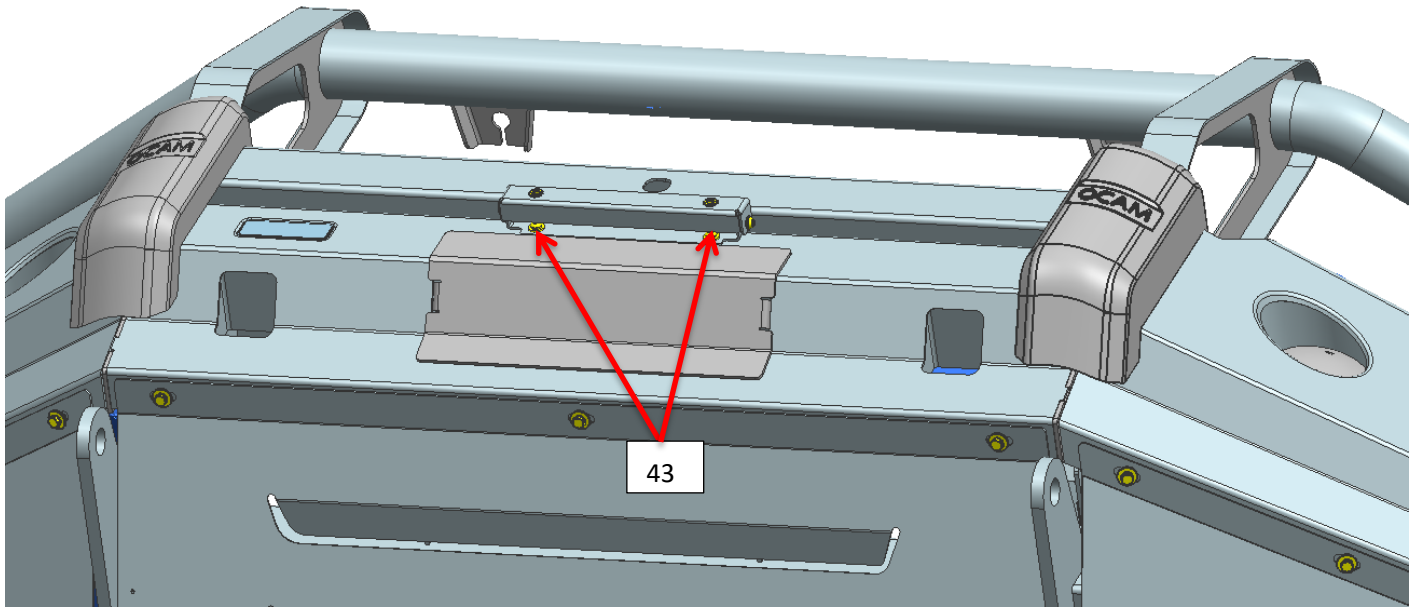
- Item 22/25/33/36: (4)  
Hexagonal head bolt M6\_20+ M6 spring washer+M6 washer+ M6 Flange Nut



# Fitting Instructions

**7. install item 6:**

Using Package set M6x20 Doom head bolt x Spring washer x Flat washer



**8. Test and make sure that the guard is steadily fixed, fully tighten all hardware**

**9. Installation is finished, pick up all tools.**