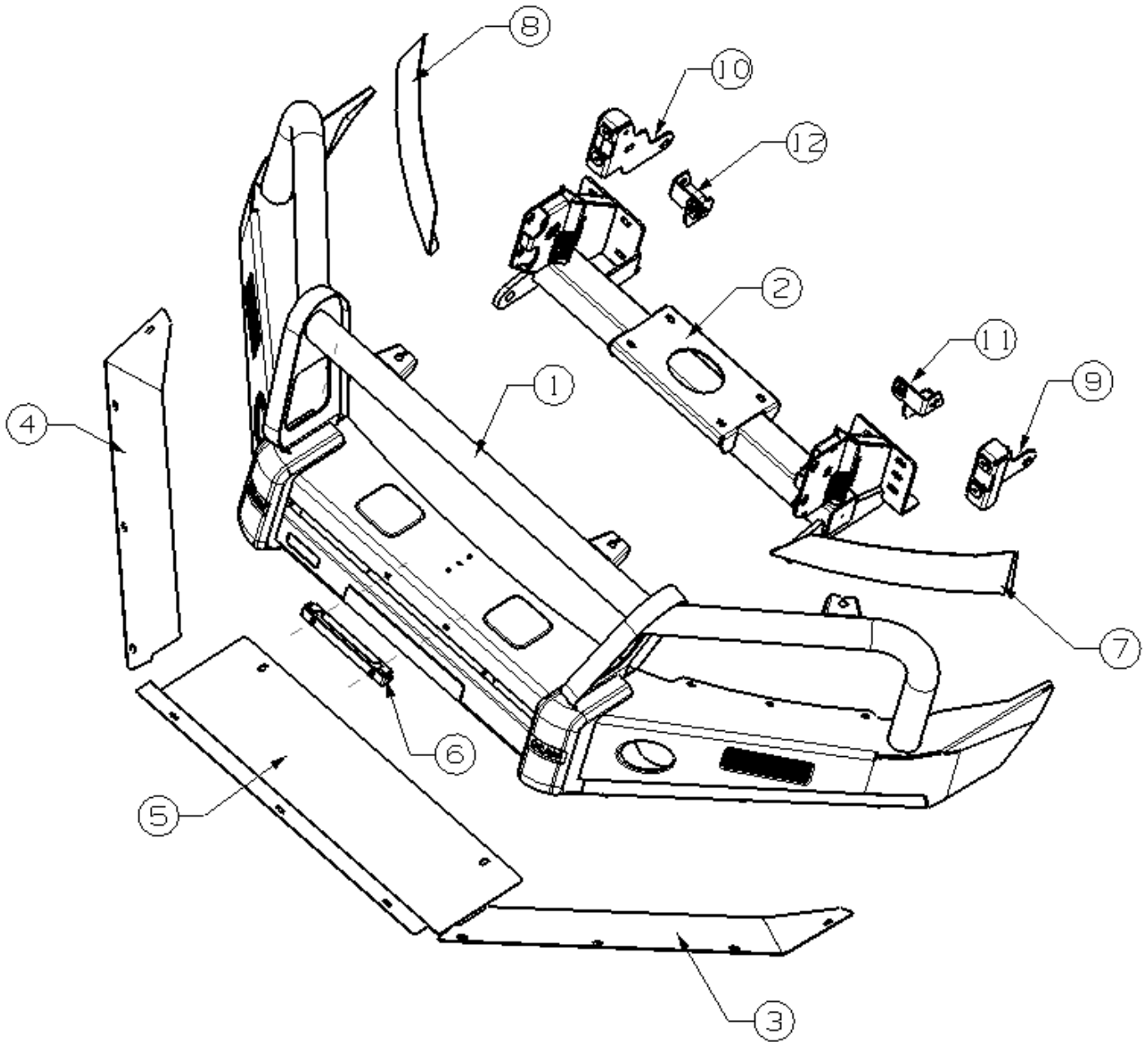


# Fitting Instructions

Description:	OCAM Deluxe Bull Bar, Heavy Duty Steel, Winch Compatible, ADR Compliant
Model:	For Holden Colorado RG 08/2016+
Item NO.:	BB2-Colorado-16



## Note:

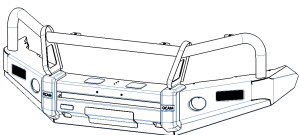
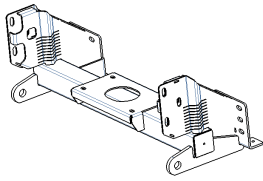
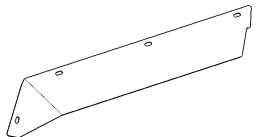
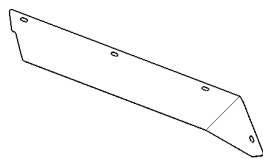
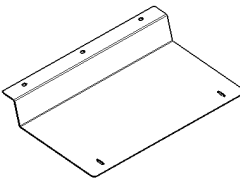



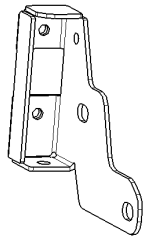
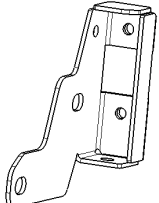
- 1) This bull bar is only suitable for the vehicle make/model/series stated above.
- 2) Do not remove the compliance label.
- 3) Do not change the structure of the bull bar.

# Fitting Instructions

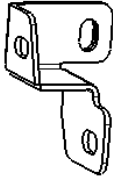
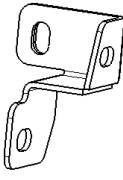

Standard locking torque

M6 - 11Nm | M8 - 18Nm | M10 - 80 Nm | M12 - 90 Nm | M16 - 90 Nm

## Bom list

Item	Winbo item NO.	Description	Qty	Item	Winbo item NO.	Description	Qty
1	200303496	 Bull bar assemble	1	2	200304165	 Winch Frame	1
3	200347872	 Splash Guard (LH)	1	4	200347873	 Splash Guard (RH)	1
5	200304219	 Center Splash Guard	1	6	E280008049	 Number Plate Bracket	1
7	200307439	 Eyebrow (LH)	1	8	200307442	 Eyebrow (RH)	1
9	200304089	 Chassis Mount A(LHS)	1	10	200304206	 Chassis Mount A(RHS)	1

# Fitting Instructions

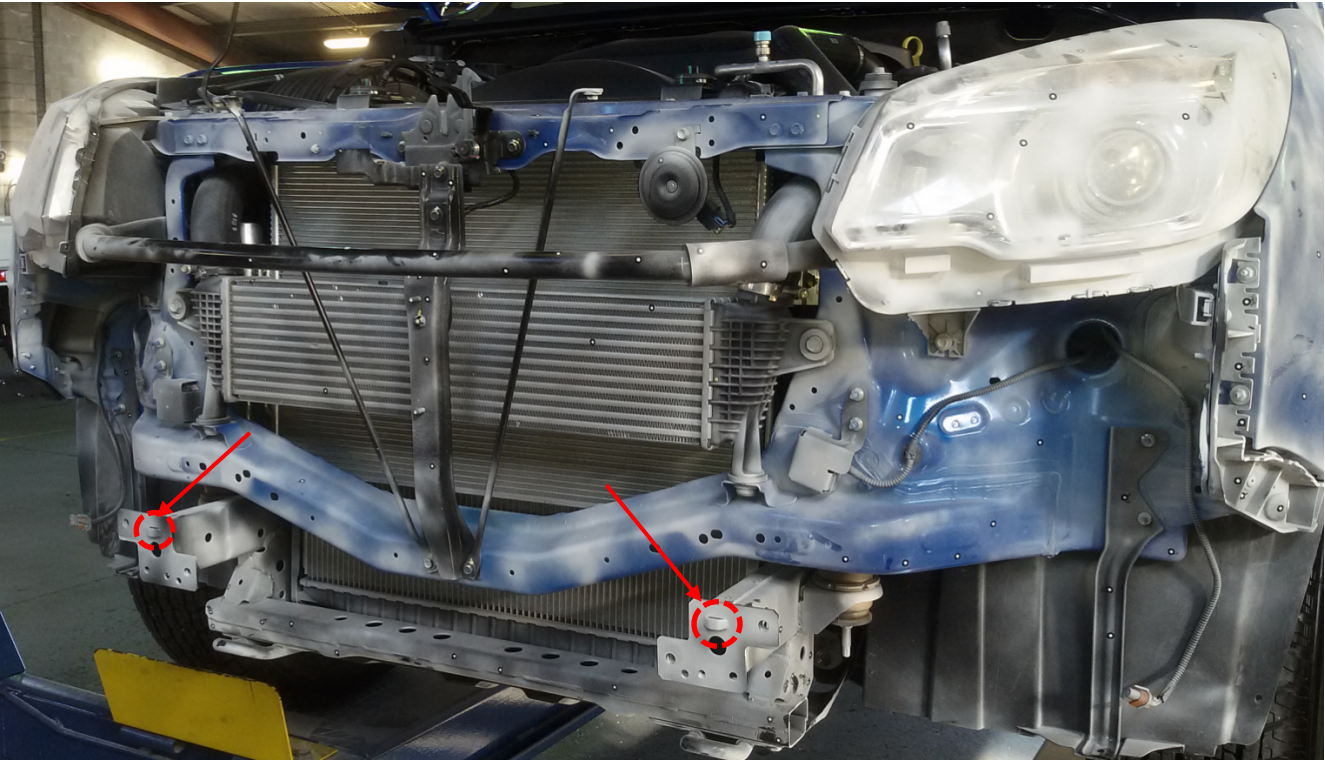
11	200304207	 Chassis Mount B(LHS)	1	12	200304210	 Chassis Mount B(RHS)	1
13	200120188	 Pinch Weld (2000mm)	1	14			

## Hardware kit

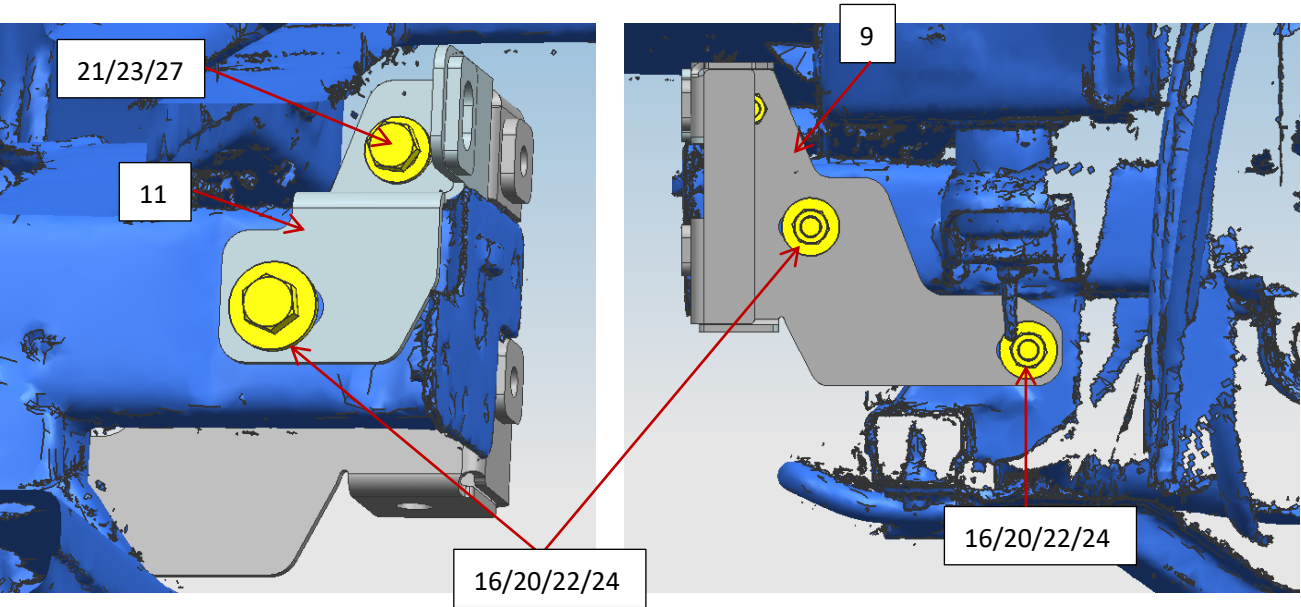
Item	Winbo Item NO.	Description	Qty
15	3001504	Hex Nut M12	6
16	3001554	Hex Nut M12x1.25	4
17	3001541	Hex Nut M10x1.25	2
18	3001577	Flange Nut M8	2
19	3001569	Flange Nut M6	8
20	3000172	Spring washer M12	12
21	3000161	Spring washer M10	10
22	3004966	Flat washer M12x32x3	20
23	3005394	Flat washer M10x24x2.2	14
24	3002989	Hex bolt M12x1.25_80_35	4
25	3002826	Hex bolt M12_40	6
26	3003020	Hex bolt M10x1.25_30	6
27	3002701	Hex bolt M10_30	6
28	3006212	Hex bolt and spring washer and flat washer combo M8x25	2
29	3006351	Dome head bolt and spring washer and flat washer combo M6x20	21
30	3000062	Allen wrench S=4	1

# Fitting Instructions

Step 1: Remove the original bumper and grind the tab showed as below circle

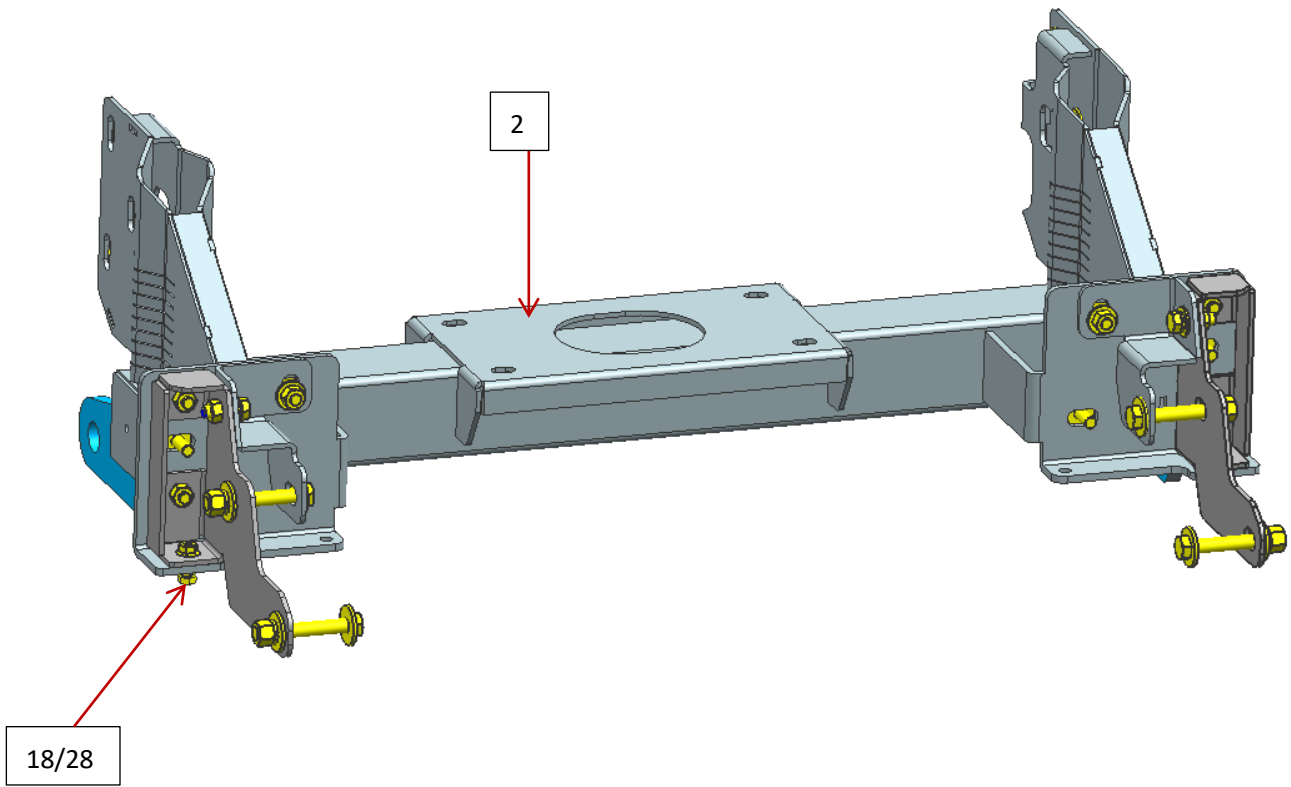
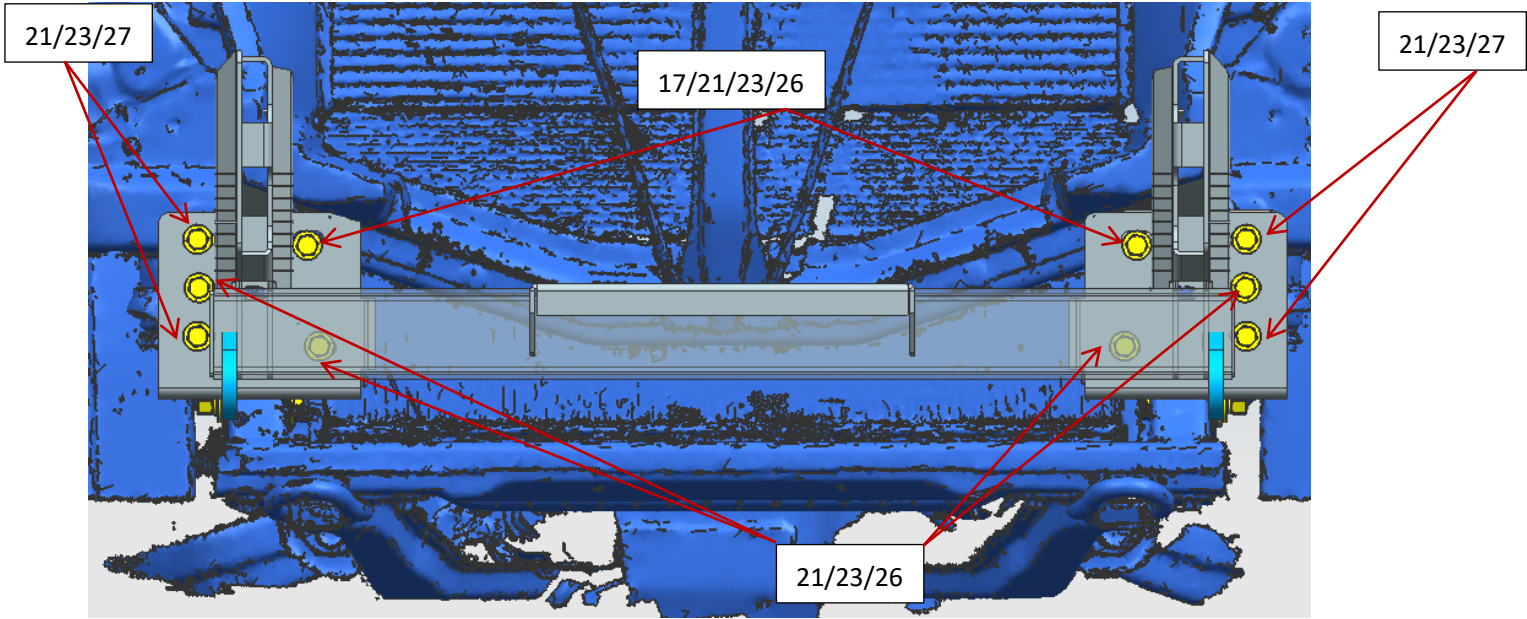


Step 2: Install chassis mount A and chassis Mount B:



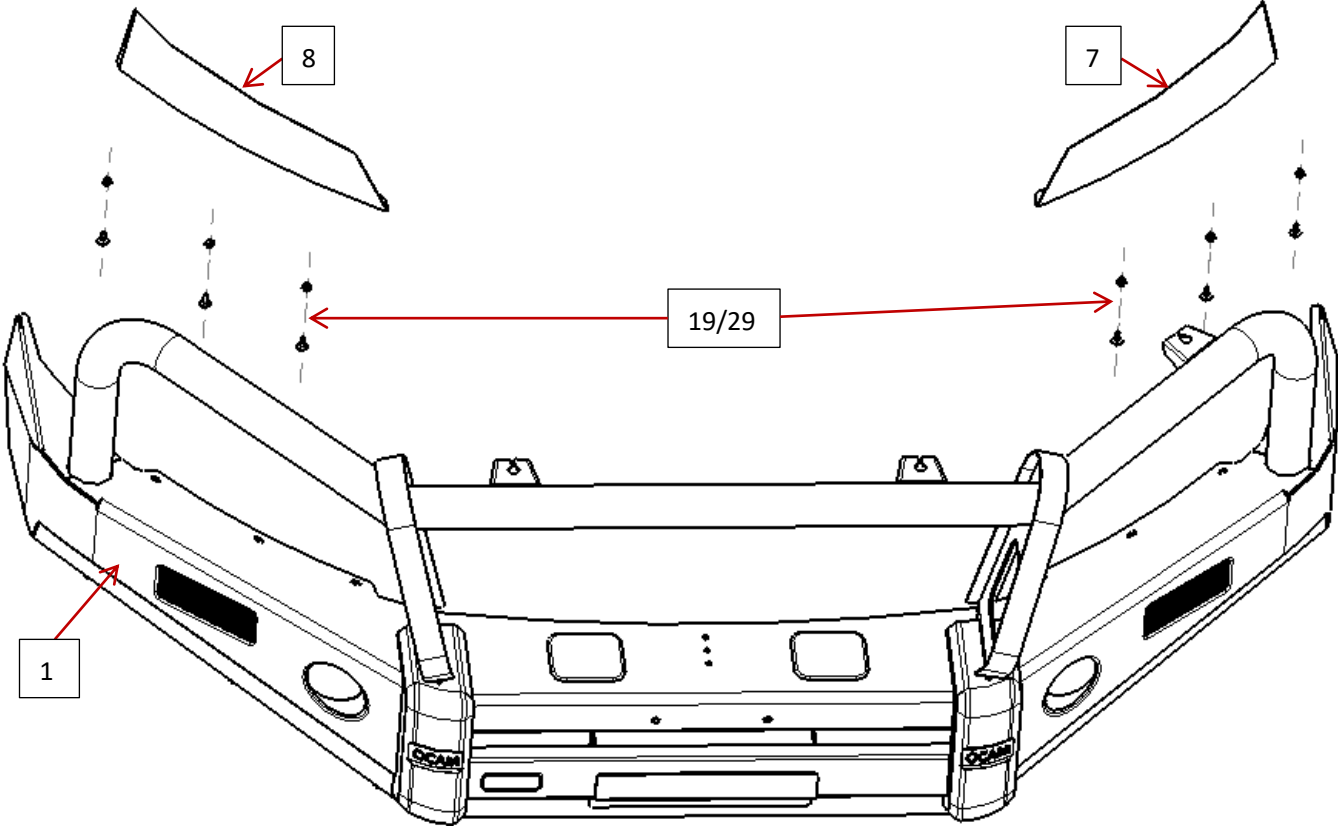
# Fitting Instructions

## Step 3: Install winch frame:

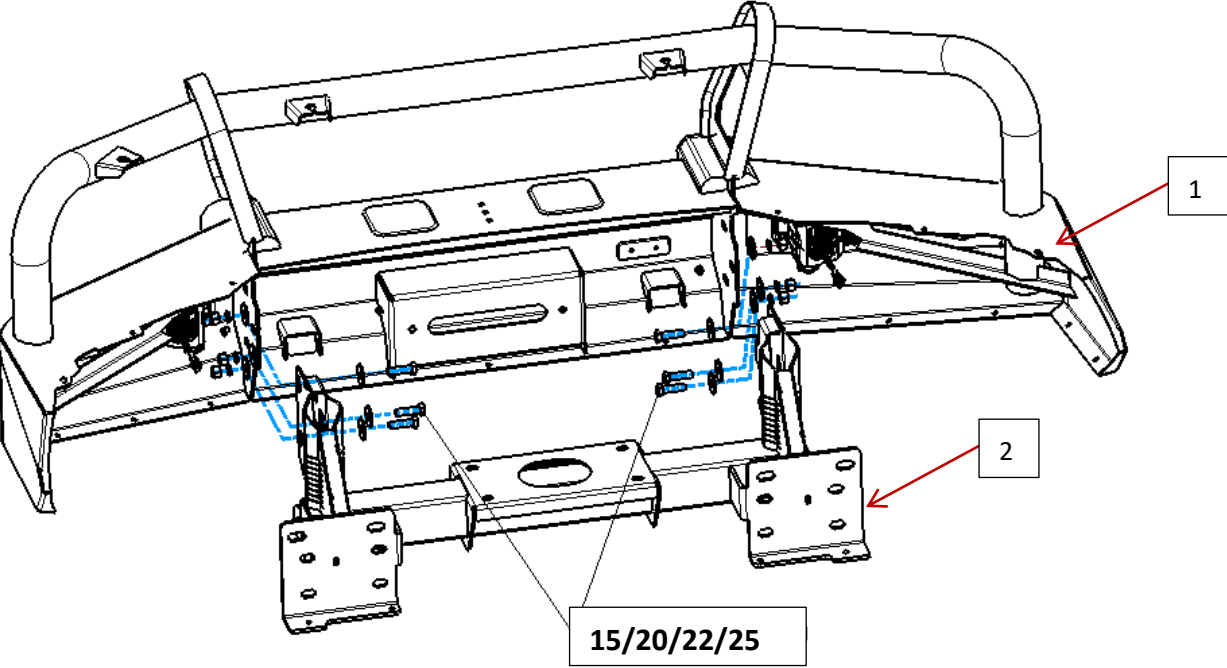


# Fitting Instructions

**Step4: Install eyebrow**

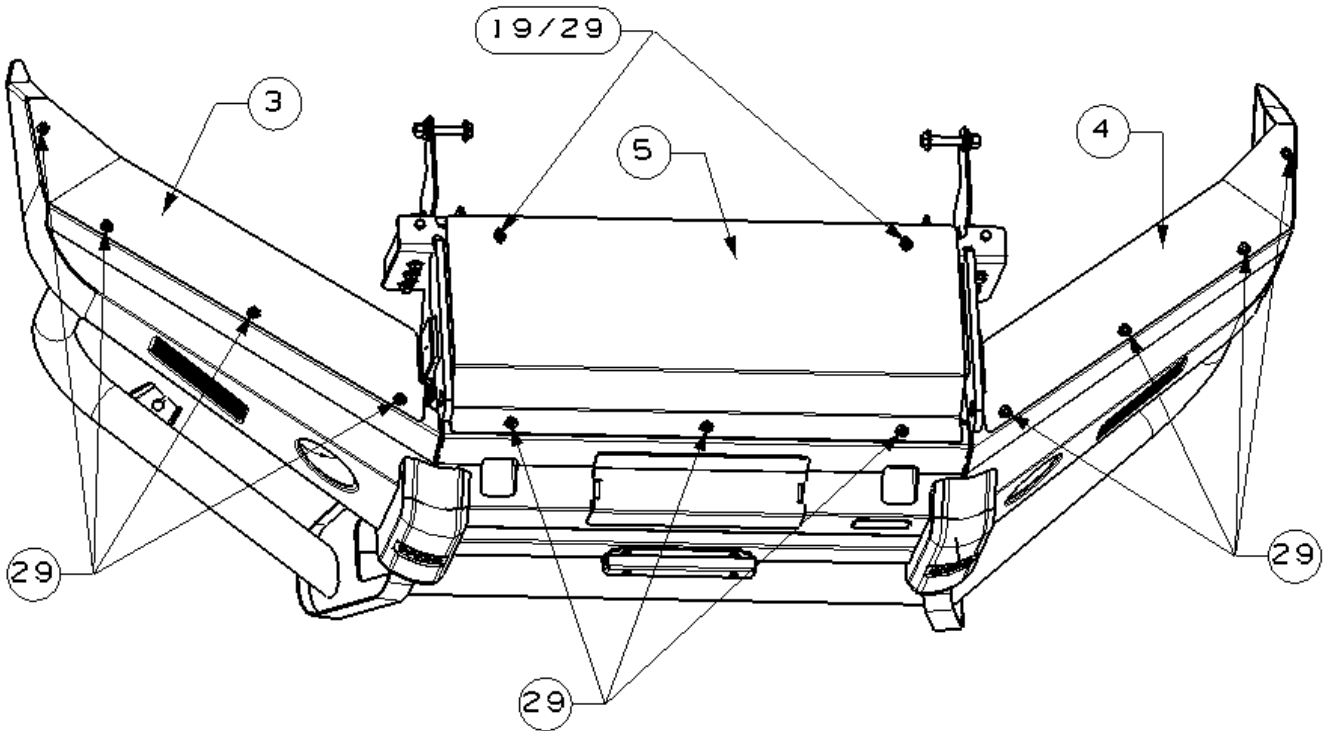


**Step5: Install the bull bar channel:**

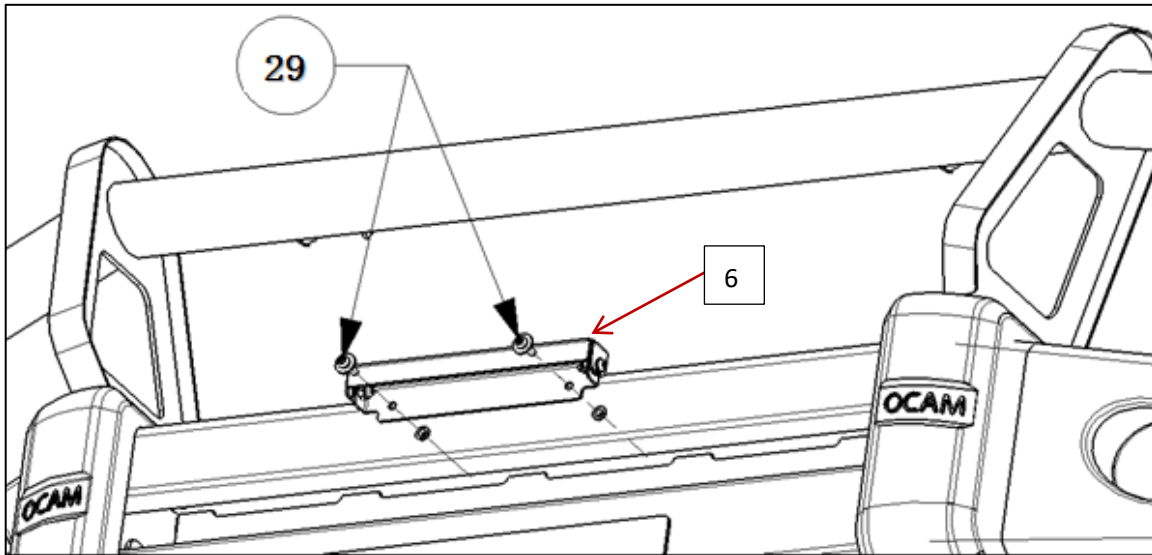


# Fitting Instructions

## Step5: Install splash plates



## Step6: Install number plate bracket



Test and make sure that the guard is steadily fixed, fully tighten all hardware  
Installation is finished, pick up all tools.