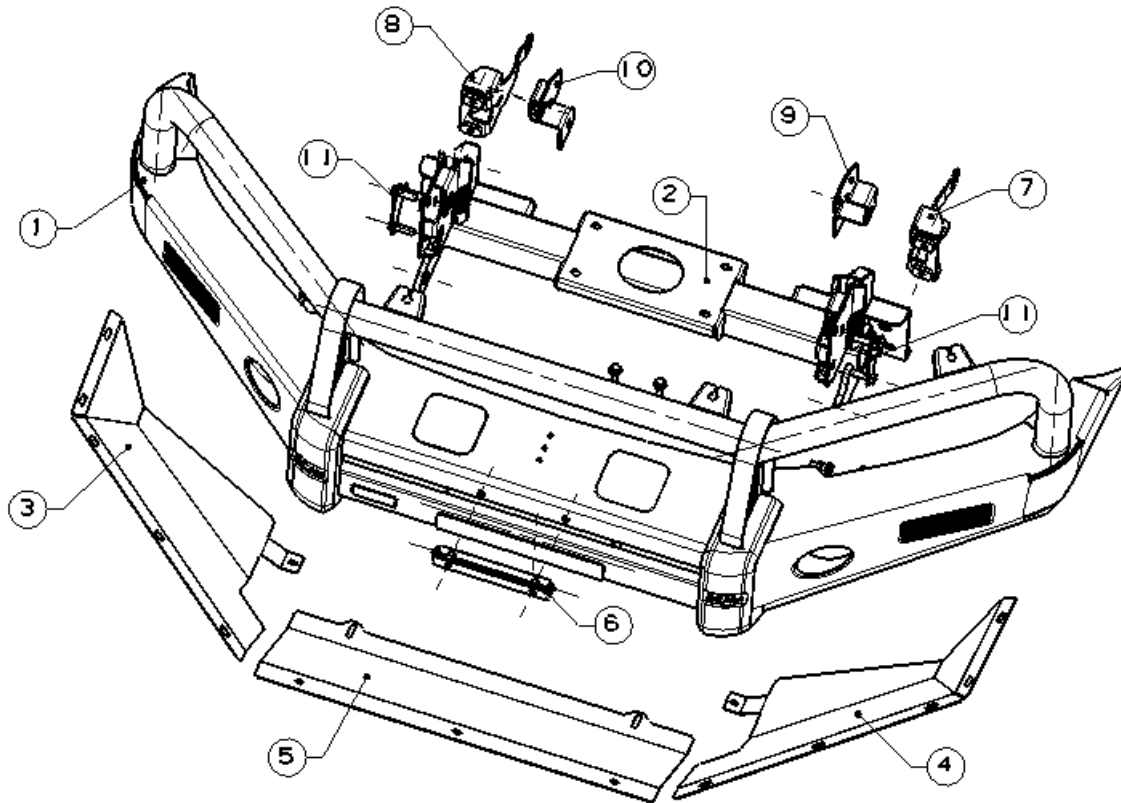


Fitting Instructions

Description:	OCAM Deluxe Bull Bar, Heavy Duty Steel, Winch Compatible, ADR Compliant
Model:	For Isuzu D-MAX 08/2020+
Item NO.:	BB2-DMAX-21



Note:

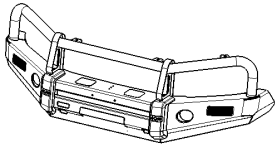
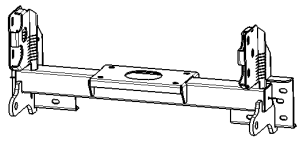
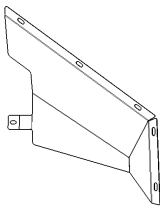
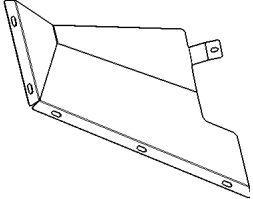
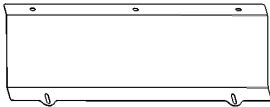
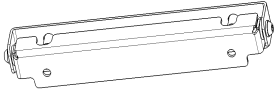
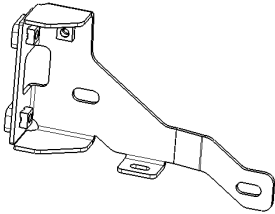
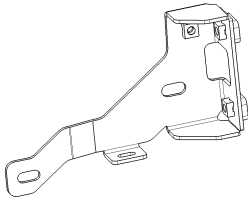
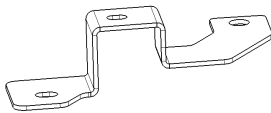
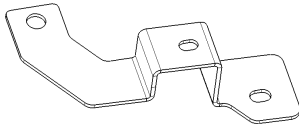
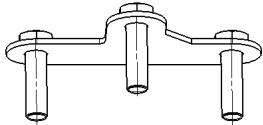
- 1) This bull bar is only suitable for the vehicle make/model/series stated in the Description above.
- 2) Do not remove the compliance label.
- 3) Do not change the structure of the bull bar.

Standard locking torque

M6 - 11Nm | M8 - 18Nm | M10 - 80 Nm | M12 - 90 Nm | M16 - 90 Nm

Fitting Instructions

BOM LIST

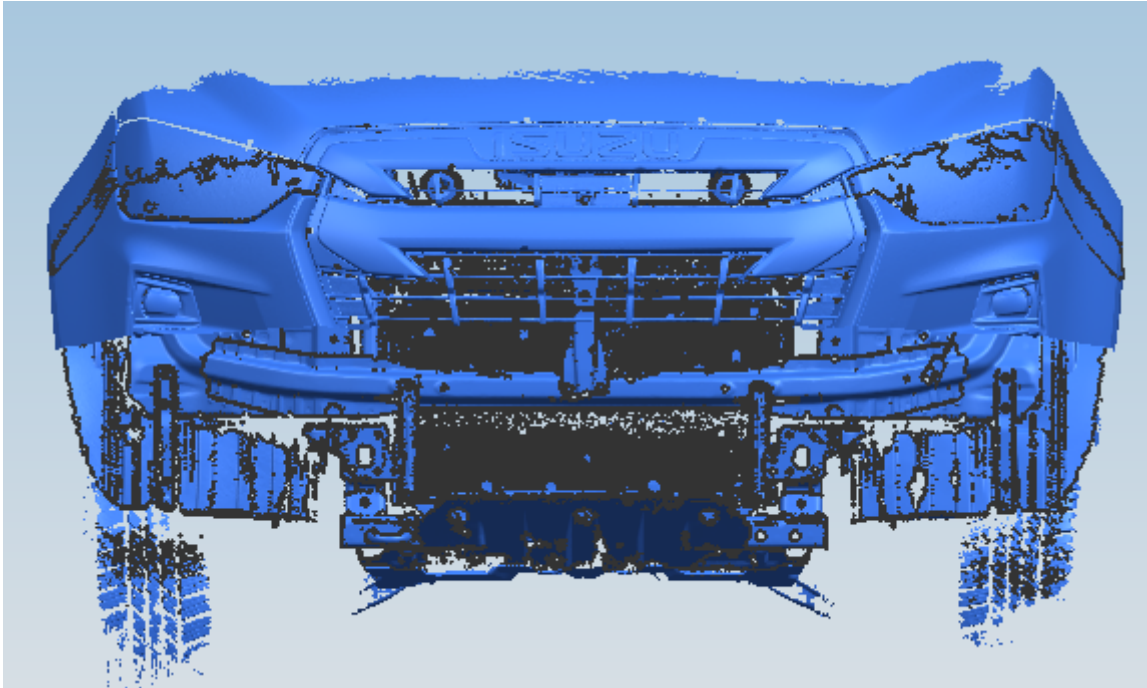
Item	Item NO.	Description	Qty	Item	Item NO.	Description	Qty
1	200389150	 Bull bar assemble	1	2	200389345	 Winch Frame	1
3	200389152	 Bash Plate (RH)	1	4	200389151	 Bash Plate (LH)	1
5	200389153	 Center Bash Plate	1	6	E280008049	 Number Plate Hinge Bracket	1
7	200389270	 Chassis Support Bracket (LH)	2	8	200389271	 Chassis Support Bracket (RH)	1
9	200389272	 Chassis Support Inner (LH)	1	10	200389273	 Chassis Support Inner (RH)	1
11	200253950	 Triple Bolt	2				

Fitting Instructions

Hardware kit			
Item	Item NO.	Description	Qty
12	200389384	Rubber Strip (1800mm)	1
13	3006267	Combo Hardware - M6_20 Dome Head Bolt + Spring Washer + Flat Washer	2
14	3006351	Combo Hardware - M6_20 Dome Head Bolt + Spring Washer + Flat Washer (OD 18mm)	15
15	3000222	Flat Washer D6(6x18x1.6mm)	2
16	3001569	Hex Nut M6	2
17	3006212	Combo Hardware – Hex Bolt+ Spring Washer + Flat Washer M8_25	2
18	3002713	Hex Bolt M10_35	8
19	3003021	Hex Bolt with fine pinch thread M10x1.25_30	4
20	3003027	Hex Bolt with fine pinch thread M10x1.25_35	2
21	3000160	Spring Washer D10	12
22	3005395	Flat Washer D10_24_2.2	14
23	3001585	Hex Flange Nut M10	2
24	3002805	Hex Bolt M12_30	2
25	3002377	Hex Bolt Half Thread M12_90_35	2
26	3000171	Spring Washer D12	10
27	3004967	Flat Washer D12_32_3	4
28	3001505	Hex Nut M12	8
29	3000252	Flat Washer D12(12x37x3mm)	8

1. Installation Steps:

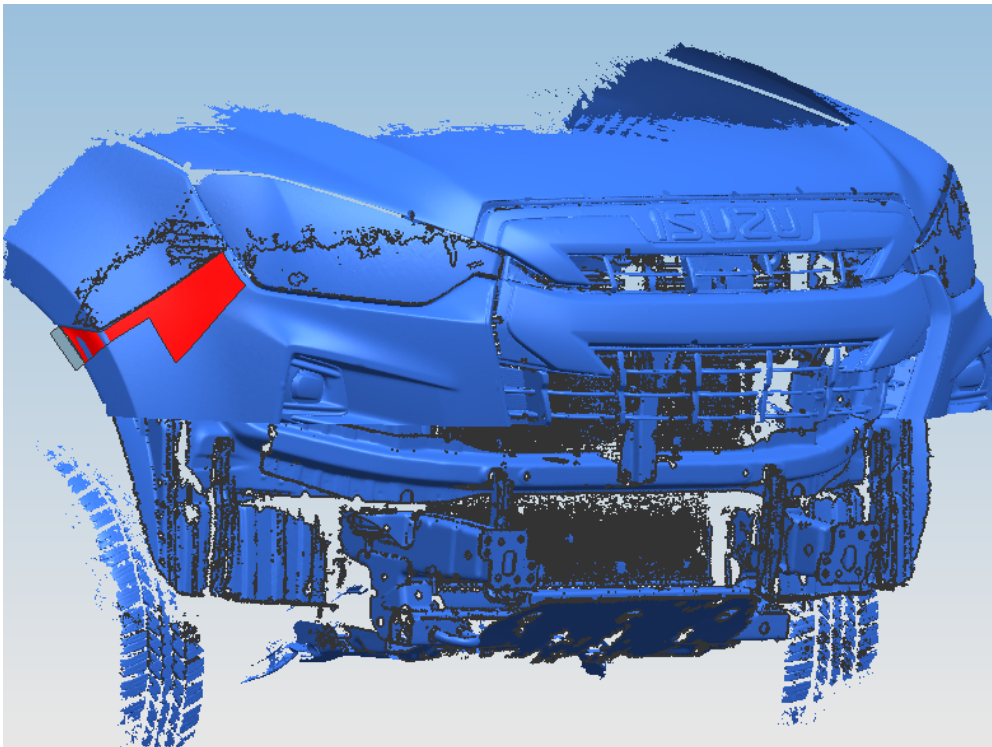
Remove front surround



Remove & discard all plastics in front and below beam.

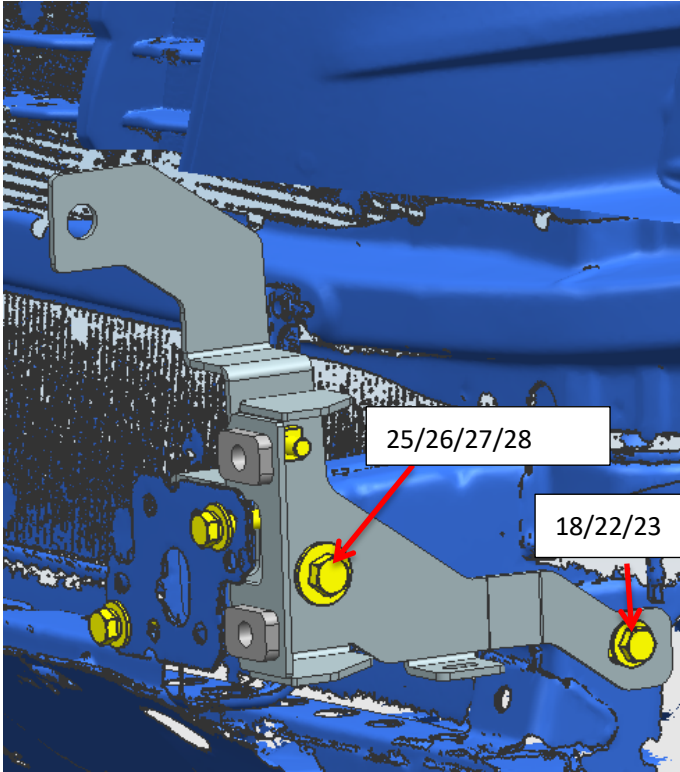
Remove and discard front intrusion beam and fasteners.

Please trim off the OEM bumper with the supplied trimming template as shown as following.



Fitting Instructions

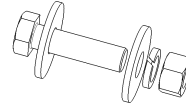
2. Chassis Mount: item 7&9 (RHS)



Use below bolt kits:

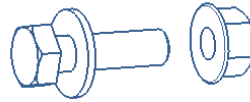
1. Item 25/26/27/28: (1)

Hex Bolt Half Thread M12_90_35+ Spring Washer D12+ Flat Washer D12_32_3+ Hex Nut M12



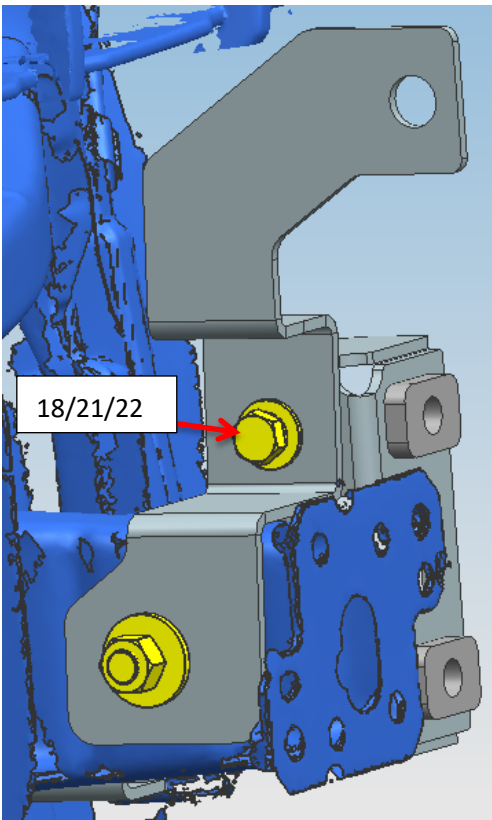
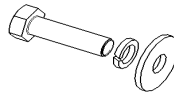
2. Item 18/22/23: (1)

Hex Bolt M10_35+ Flat Washer D10_24_2.2 + Hex Flange Nut M10



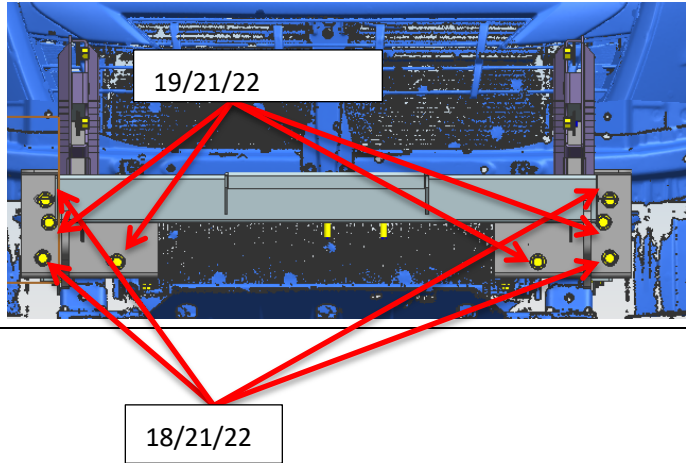
3. Item 18/21/22: (1)

Hex Bolt M10_35+ Spring Washer D10 + Flat Washer D10_24_2.2



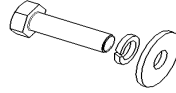
Fitting Instructions

install item 2& Item 9/10

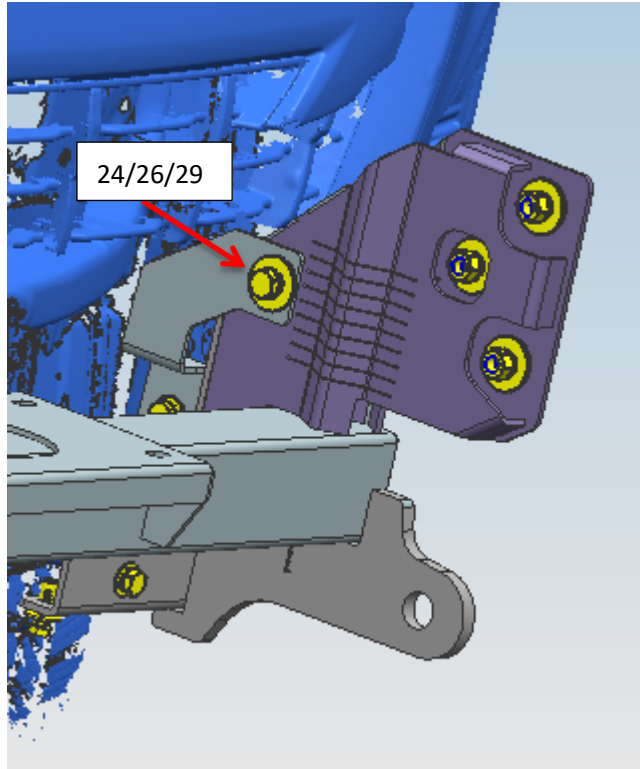
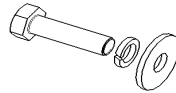


Use below bolt kits:

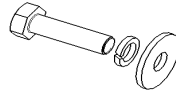
1. Item 19/21/22: (4)
Hex Bolt with fine pinch thread M10x1.25_30+ Spring Washer D10+ Flat Washer D10_24_2.2



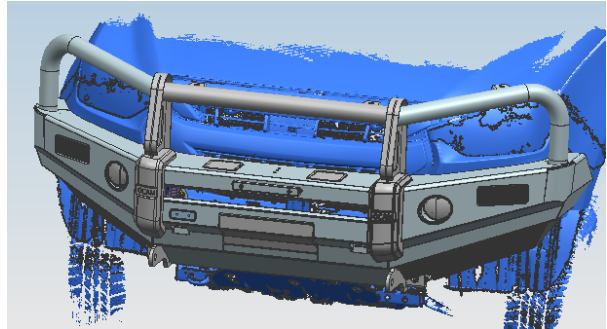
2. Item 18/21/22: (4)
Hex Bolt M10_35+ Spring Washer D10+ Flat Washer D10_24_2.2



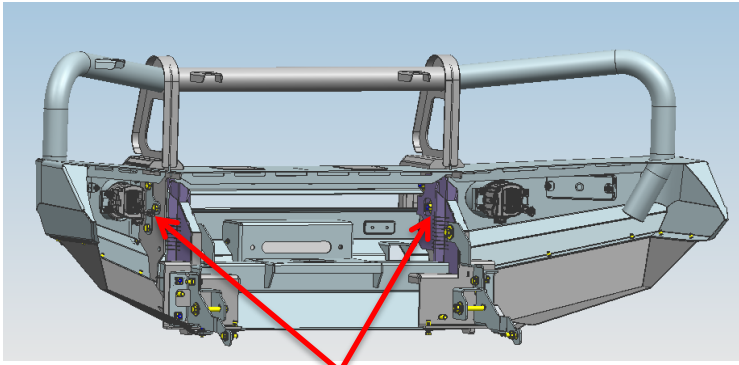
3. Item 24/26/29: (1) (RHS)
Hex Bolt M12_30x_30+Spring Washer D12+ Flat Washer D12(12x37x3mm)



3. Install item 1 (Use the rubber strip on the edge before install the bull bar)



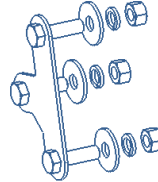
Fitting Instructions



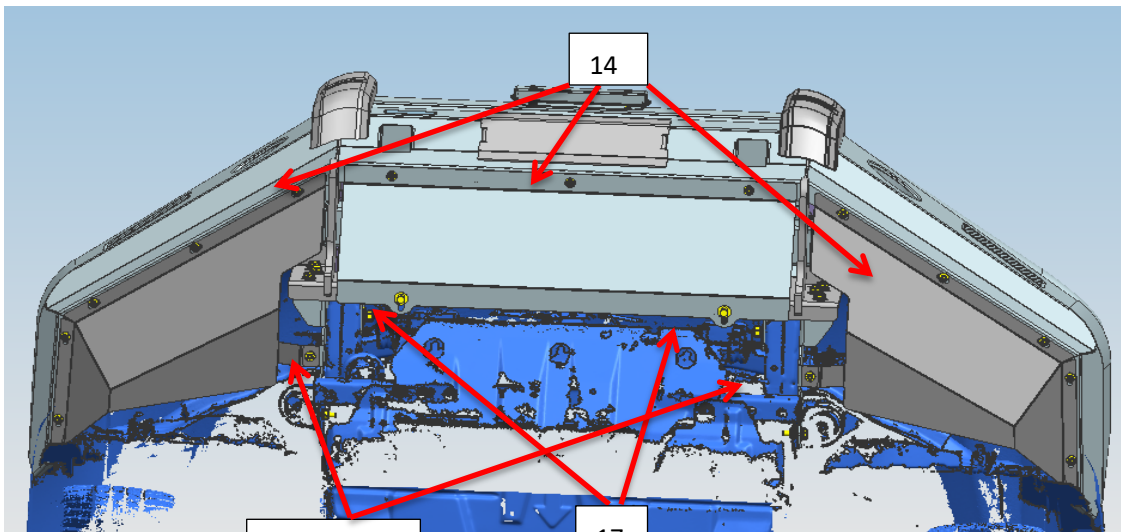
11/26/28/29

Use below bolt kits:

- Item 11/26/28/29: (2)
Triple Bolt+ Spring Washer D12+ Hex Nut
M12+ Flat Washer D12(12x37x3mm)



4. Install item 3&4&5

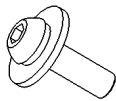


14/15/16

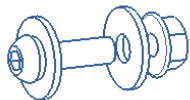
17

Use below bolt kits:

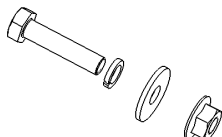
- Item 14: (13)
Combo Hardware - M6_20 Dome Head Bolt + Spring Washer + Flat Washer (OD 18mm)



- Item 14/15/16: (2)
Combo Hardware - M6_20 Dome Head Bolt + Spring Washer + Flat Washer (OD 18mm) + Flat Washer D6(6x18x1.6mm)+ Flat Washer D6(6x18x1.6mm)

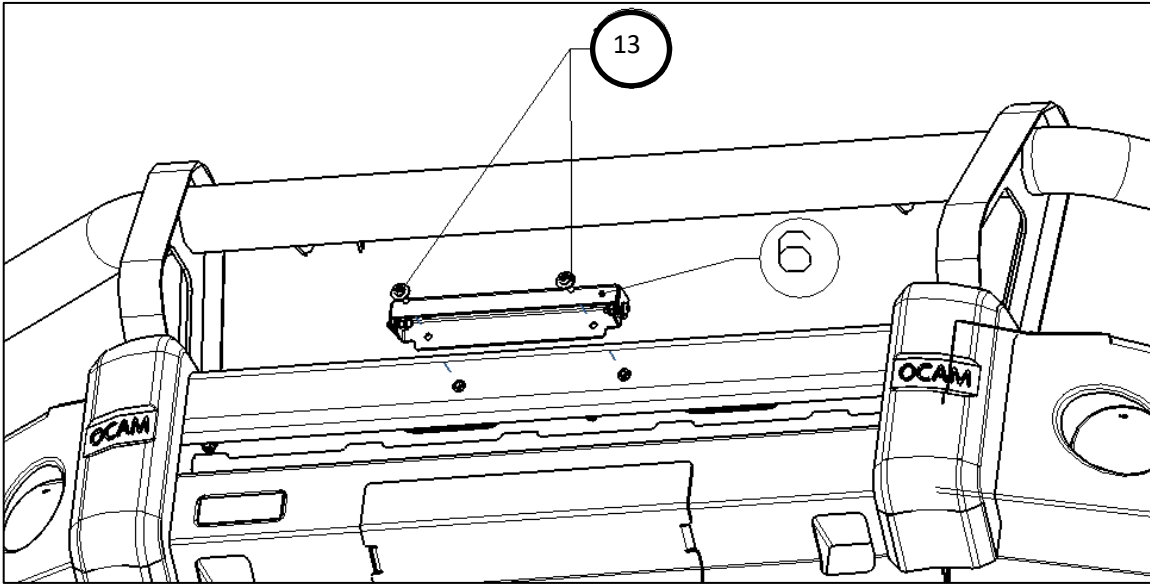


- Item 17: (2)
Combo Hardware – Hex Bolt+ Spring Washer + Flat Washer M8_25



Fitting Instructions

5. install item 6:



Use Below bolt kits:

Item 13:(2)

Combo Hardware - M6_20 Dome Head Bolt + Spring Washer + Flat Washer

6. Test and make sure that the guard is steadily fixed, fully tighten all hardware

7. Installation is finished, pick up all tools.