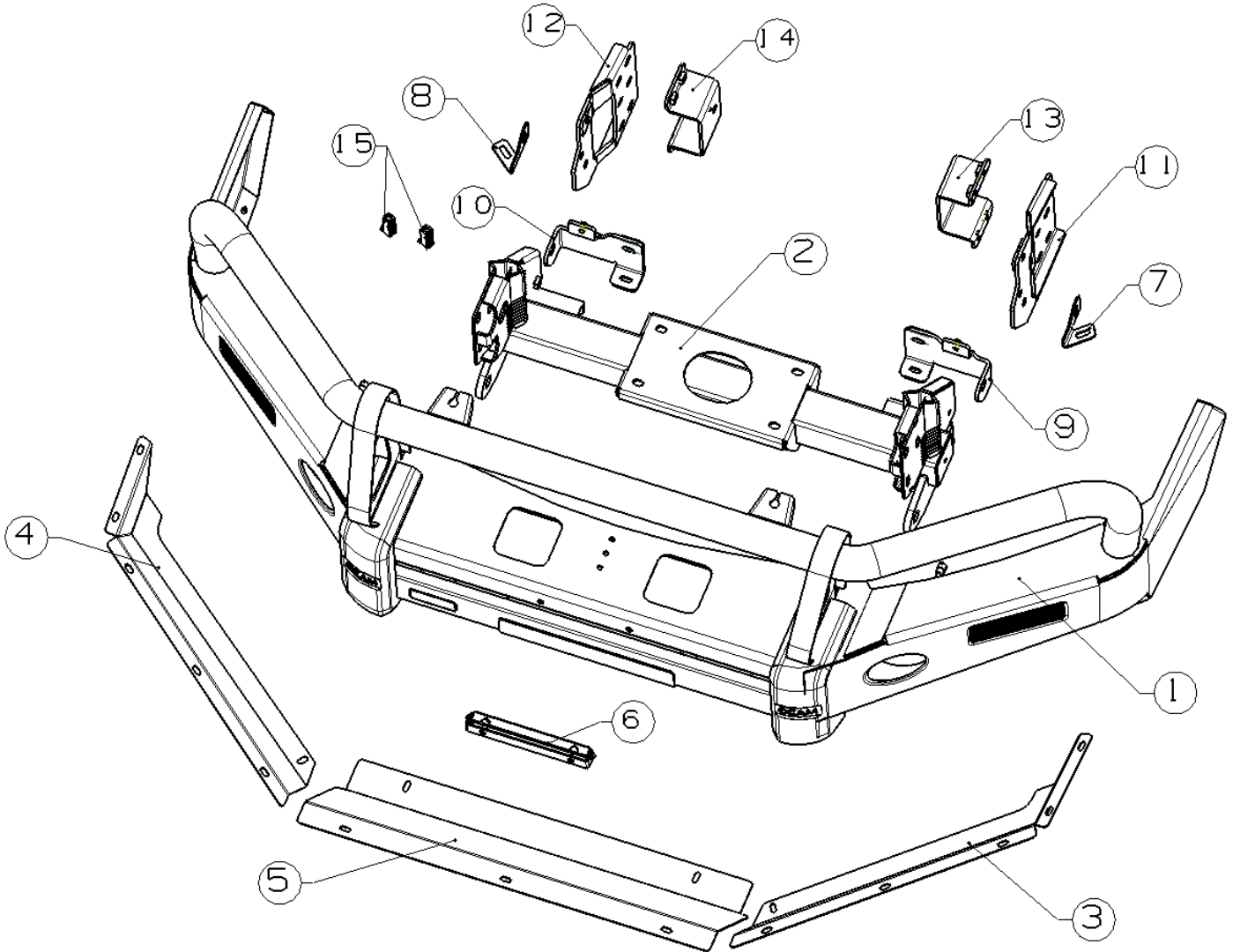


Fitting Instructions

Description:	OCAM Deluxe Bull Bar, Heavy Duty Steel, Winch Compatible, ADR Compliant
Model:	For Mitsubishi Triton MR, 11/2018-Current
Item NO.:	BB2-MT-18



Note:

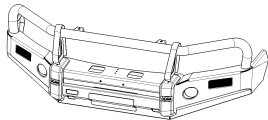
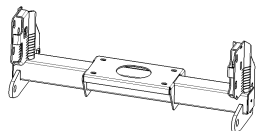
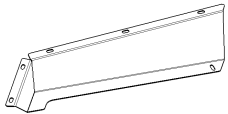
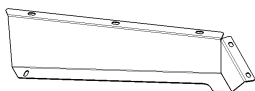


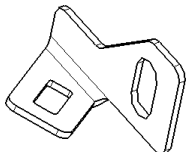
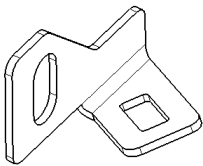
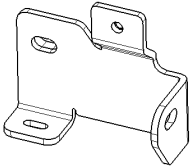
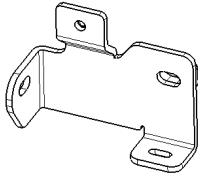
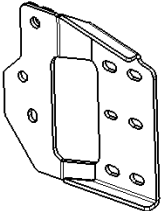
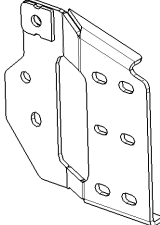
- 1) This bull bar is only suitable for the vehicle make/model/series stated in the Description above.
- 2) Do not remove the compliance label.
- 3) Do not change the structure of the bull bar.

Standard locking torque

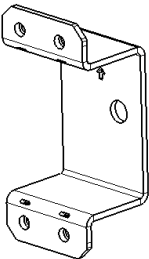
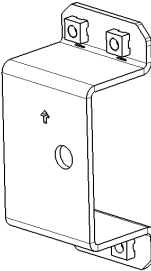


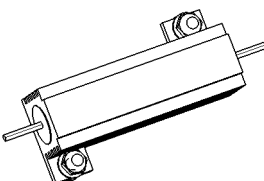
M6 - 11Nm | M8 - 18Nm | M10 - 80 Nm | M12 - 90 Nm | M16 - 90 Nm

Fitting Instructions

Bom list

Item	Item NO.	Description	Qty	Item	Item NO.	Description	Qty
1	200355666	 Bull bar assemble	1	2	200356397	 Winch Frame	1
3	200356316	 Wing Bash Plate (LH)	1	4	200356317	 Wing Bash Plate (RH)	1
5	200356315	 Middle Skid Plate	1	6	E28000804 9	 Number Plate Hinge Bracket	1
7	200356335	 Bash plate connector (LH)	1	8	200356336	 Bash plate connector (RH)	1
9	200356322	 Chassis front mount (LH)	1	10	200356324	 Chassis front mount(RH)	1
11	200356319	 Chassis Mount Outside (LH)	1	12	200356320	 Chassis Mount Outside (RH)	1

Fitting Instructions

13	200356321		1	14	200356326		1
		Chassis Mount Inside(LH)				Chassis Mount Inside(RH)	
15	200357119		2	16	200357120		1
		Pinch Weld (500mm)				Pinch Weld (800mm)	
N/A	200350876		2				
		50W 8 Ω resistance					

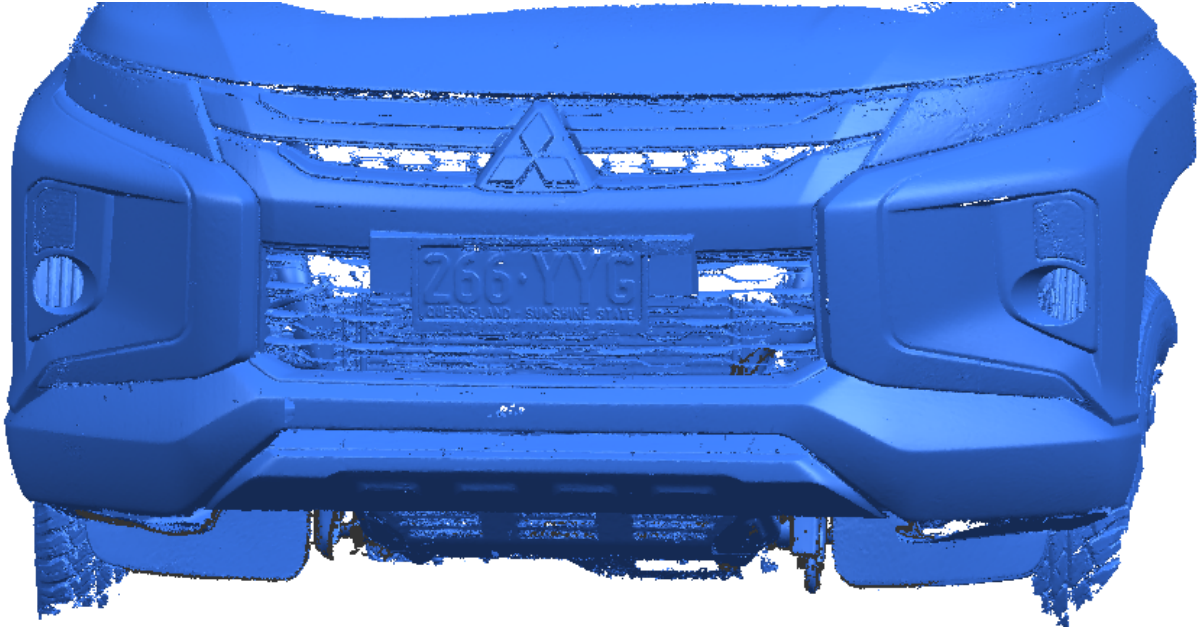
Hardware kit

Item	Item NO.	Description	Qty
17	3000149	Spring washer M8	4
18	3000161	Spring washer M10	14
19	3000172	Spring washer M12	12
20	3000239	Flat washer M8 (8x24x2mm)	4
21	3000246	Flat washer M10 (10x30x2.5mm)	14
22	3000253	Flat washer M12 (12x37x3mm)	32
23	3001504	Hex nut M12	12
24	3001578	Flange nut M8	2
25	3002599	Hex head bolt M8x30	2
26	3002608	Hex head bolt M8x35	2
27	3002701	Hex head bolt M10x30	2
28	3002712	Hex head bolt M10x35	8
29	3002756	Hex head bolt M10x70	2
30	3002814	Hex head bolt M12x35	8
31	3002832	Hex head bolt M12x45	8
32	3002885	Hex head bolt M12x100	2
33	3003026	Hex head bolt 10x1.25x50	2
34	20029769201	M6 cage nut	2
35	3006351	Doom head bolt + spring washer + flat washer combo kit M6x20	17

Fitting Instructions

1. Installation Steps:

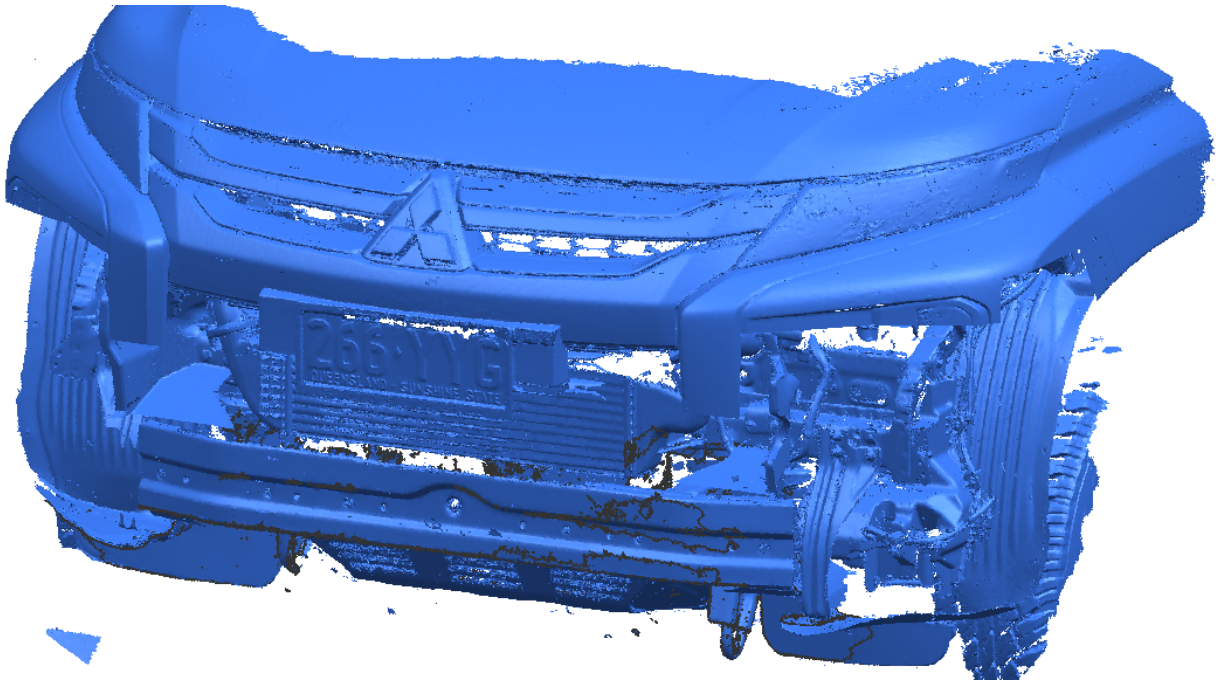
Remove front surround



Remove & discard all plastics in front and below beam.

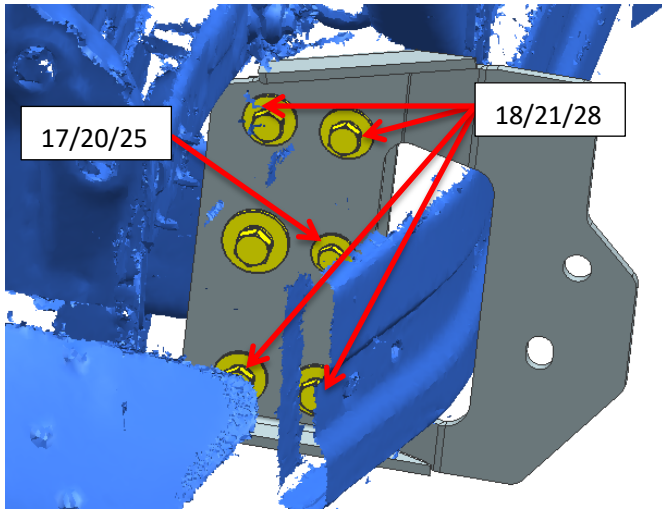
Remove and discard front intrusion beam and fasteners

Trim the plastic bumper as per the A3 size trimming template to image below



Fitting Instructions

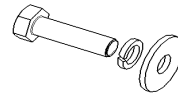
2. Chassis Mount: item 11&13 (RHS)



Use below bolt kits: (4)

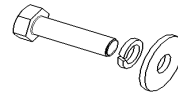
- Item 18/21/28:

Hexagonal head bolt M10_35+M10spring washer+M10 washer



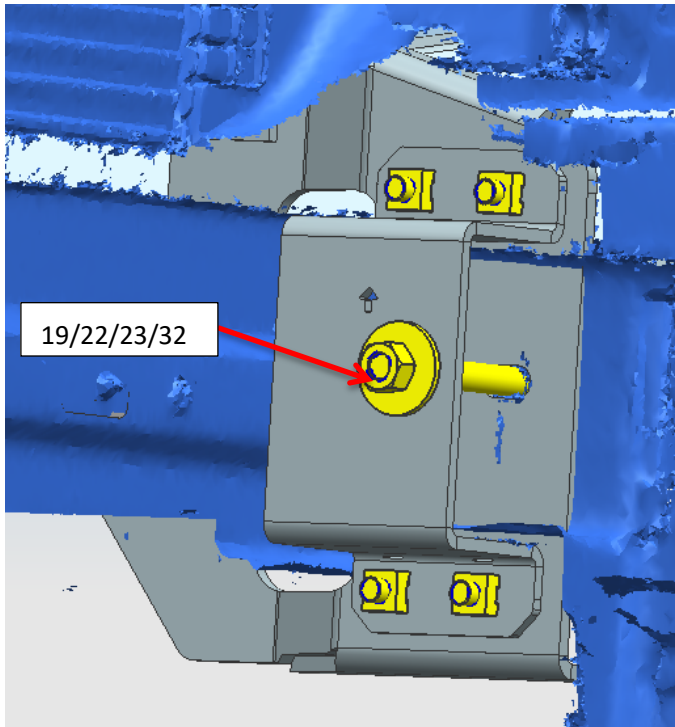
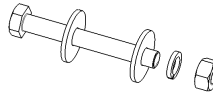
- Item 17/20/25: (1)

Hexagonal head bolt M8_30+ M8 spring washer+M8 washer



- Item 19/22/23/32: (1)

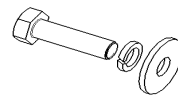
Hexagonal head bolt M12_120+M12 spring washer+M12 washer +M12 Hexagon nut



need use below bolt kits:

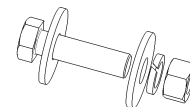
- Item 18/21/33: (1)

Hexagonal head bolt M10x1.25_50+M10 spring washer+M10 washer

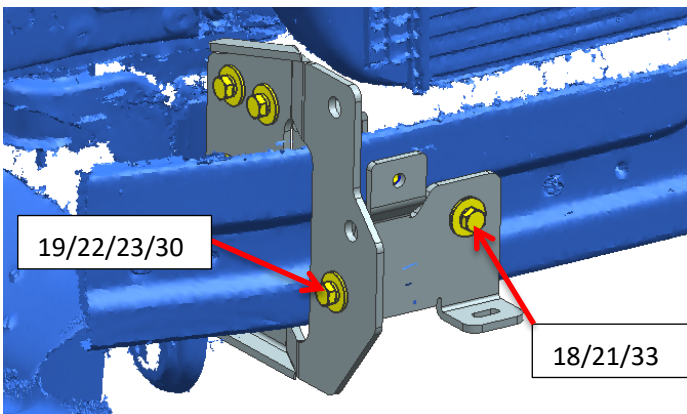


- Item 19/22/23/30: (1)

Hexagonal head bolt M12_35+M12spring washer+M12 washer+ M12 Hexagon nut

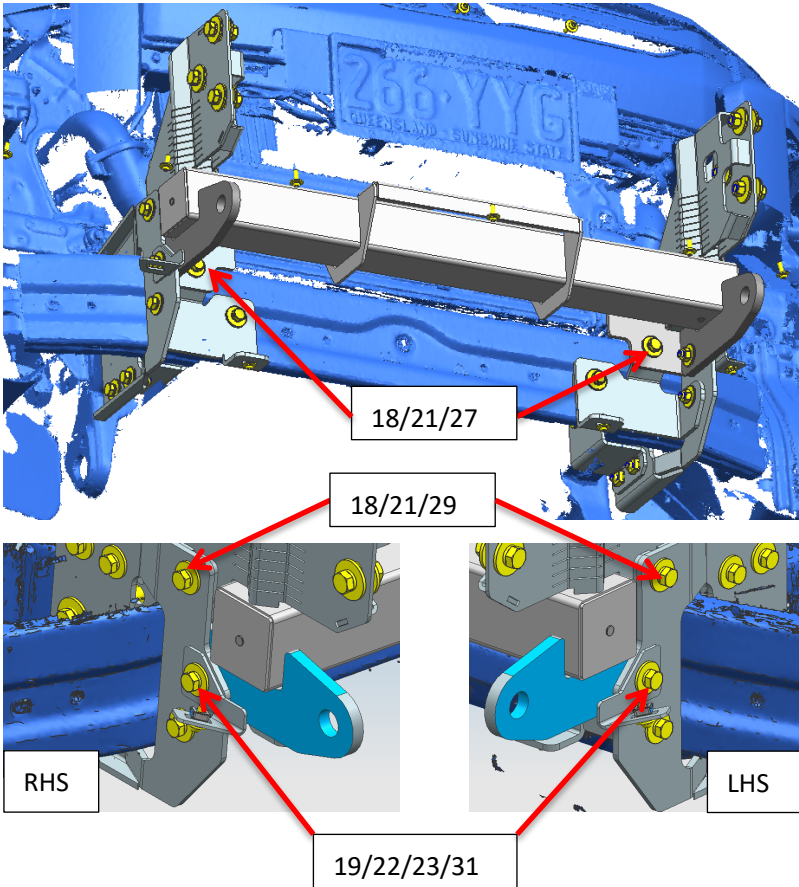


3. Chassis front mount- item 9(RHS)



Fitting Instructions

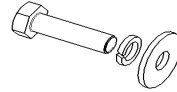
4. install item 2 & Item 7/8



Need use below bolt kits:

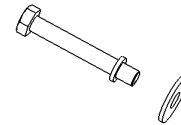
- Item 18/21/27: (2)

Hexagonal head bolt M10_30+ M10 spring washer+M10 washer



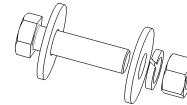
- Item 18/21/29: (2)

Hexagonal head bolt M10_70+ M10 spring washer+M10 washer

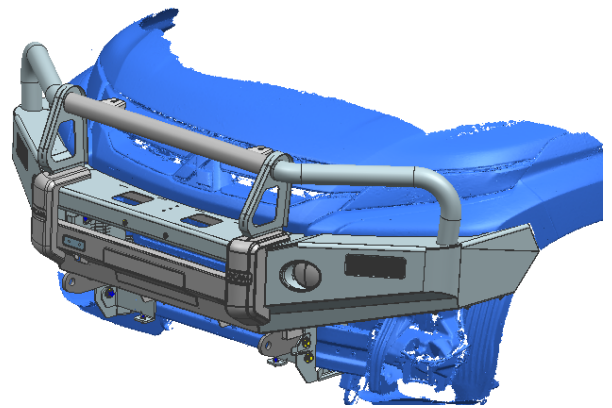
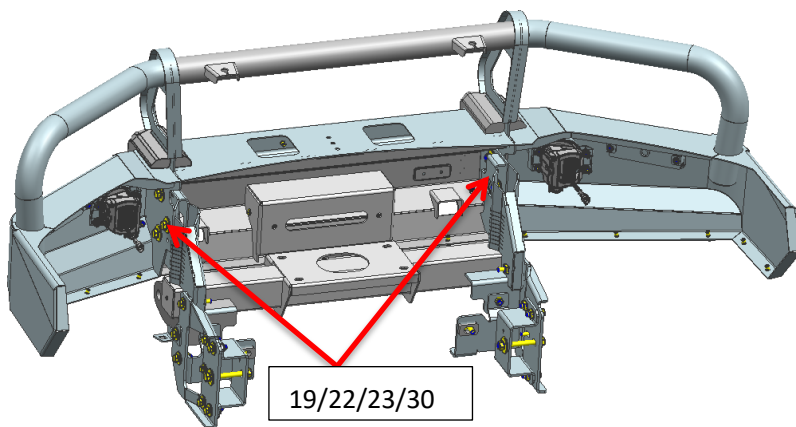


- Item 19/22/23/31: (2)

Hexagonal head bolt M12_45+ M12 spring washer+M12 washer+ M12 Hexagon nut (Item7/8 installed at the same time, and install M6 cage nut on Item7/8)



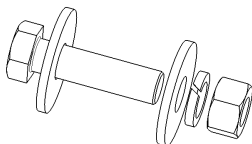
5. Install item 1 (Please attach pinch-weld to the bulbar edges in prior to this step)



Need use below bolt kits

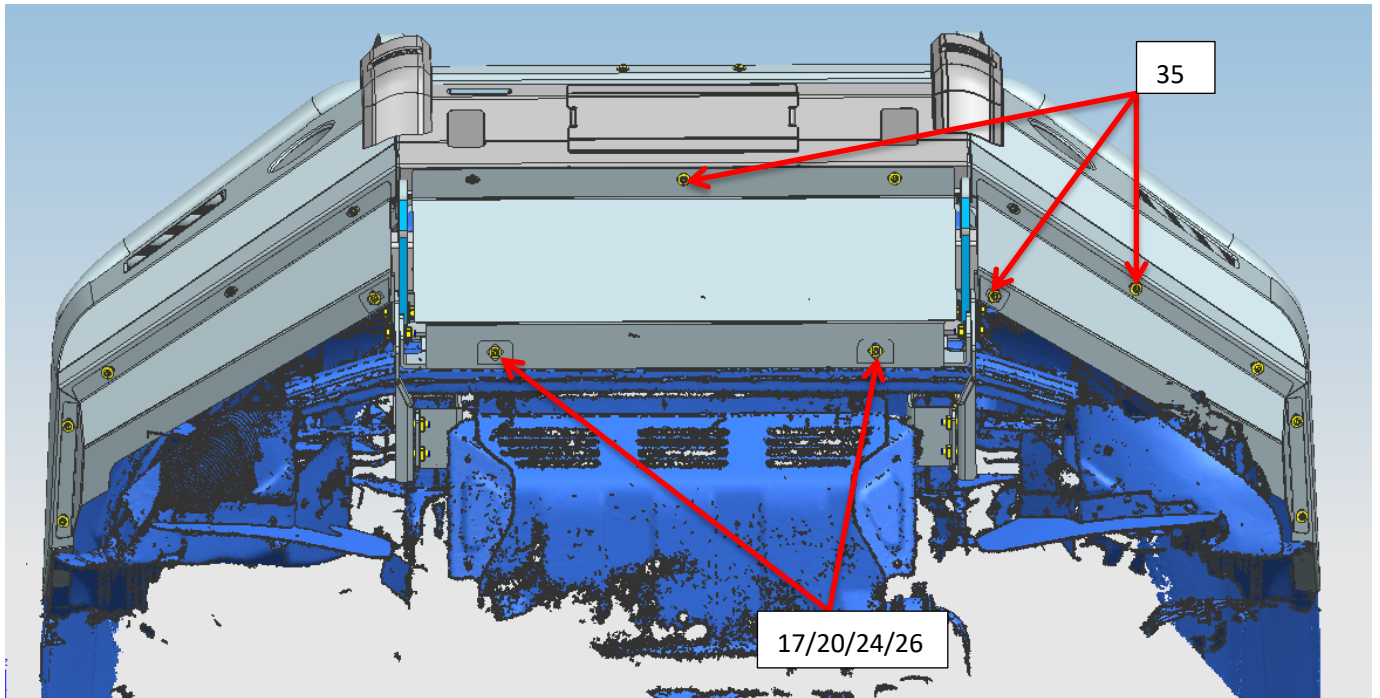
- Item 19/22/23/30: (6)

Hexagonal head bolt M12_35+M12 spring washer+M12 washer +M12 Hexagon nut



Fitting Instructions

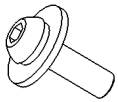
6. Install item 3&4&5



Need use below bolt kits:

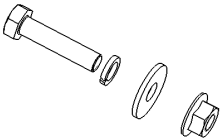
1. Item 35: (15)

Using Package set M6x20 Doom head bolt x Spring washer x Flat washer



2. Item 17/20/24/26: (2)

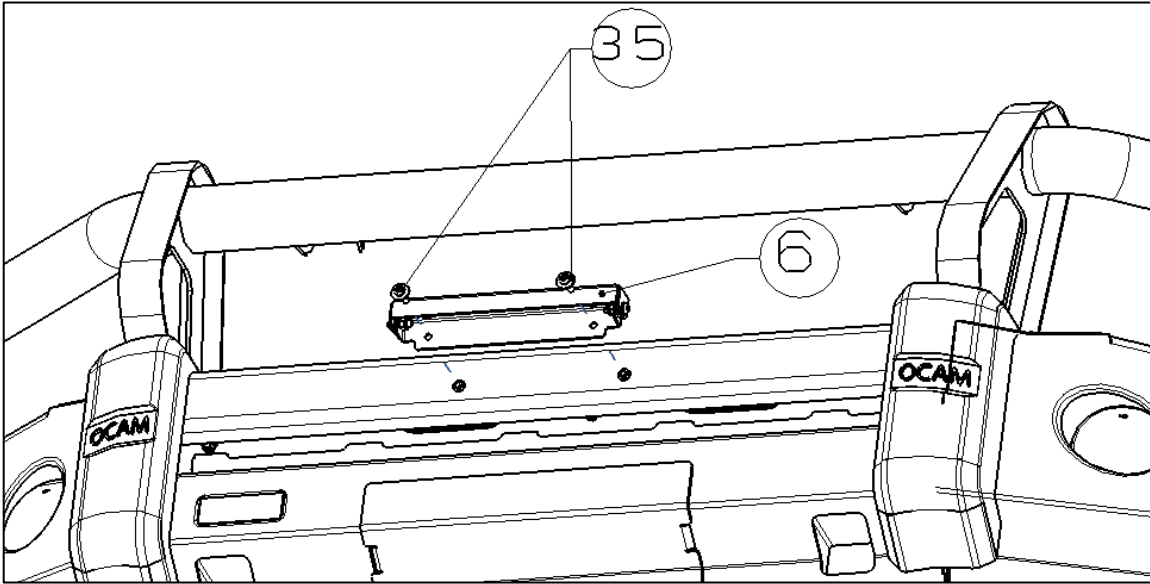
Hexagonal head bolt M8_35&M8 spring washer&M8 washer+M8 flange nut



Fitting Instructions

7. install item 6:

Using Package set M6x20 Doom head bolt x Spring washer x Flat washer



8. Test and make sure that the guard is steadily fixed, fully tighten all hardware

9. Installation is finished, pick up all tools.