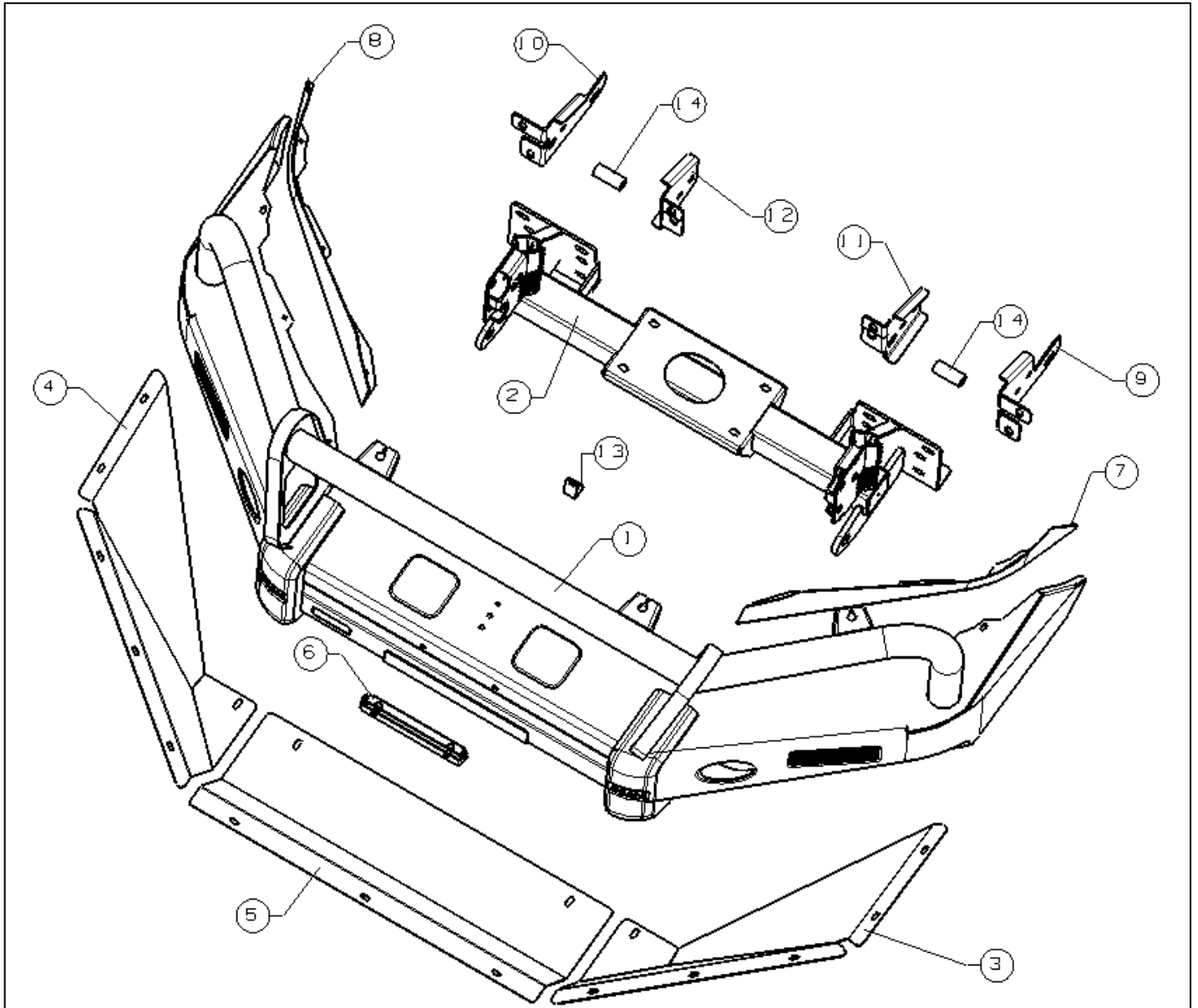


Fitting Instructions

Description:	OCAM Deluxe Bull Bar, Heavy Duty Steel, Winch Compatible, ADR Compliant
Model:	For Toyota Hilux N80 2015-09/2018
Item NO.:	BB2-Revo



Note:

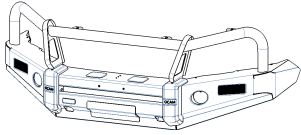
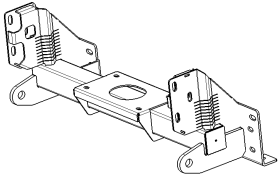
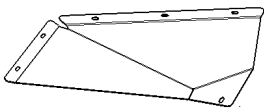
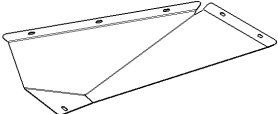
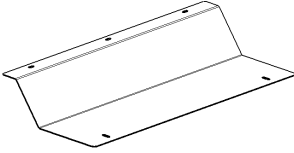

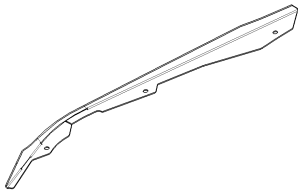
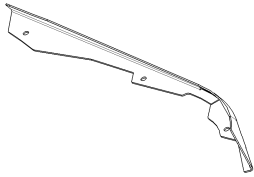
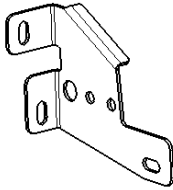
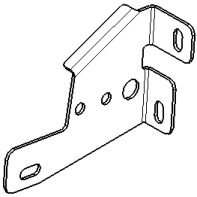
- 1) This bull bar is only suitable for the vehicle make/model/series stated in the Description above.
- 2) Do not remove the compliance label.
- 3) Do not change the structure of the bull bar.

Fitting Instructions

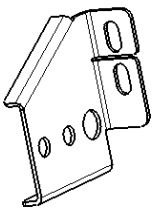
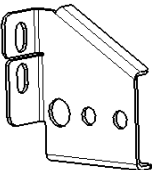
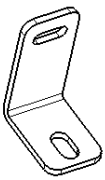
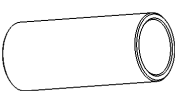

Standard locking torque

M6 - 11Nm | M8 - 18Nm | M10 - 80 Nm | M12 - 90 Nm | M16 - 90 Nm

Bom list

Item	Item NO.	Description	Qty	Item	Item NO.	Description	Qty
1	200292513	 Bull bar assemble	1	2	200292513	 Winch Frame	1
3	200292523	 Skid Plate (LH)	1	4	200292524	 Skid Plate (RH)	1
5	200292525	 Middle Skid Plate	1	6	E280008049	 Number Plate Hinge Bracket	1
7	200292535	 Eyebrow (LH)	1	8	200292536	 Eyebrow (RH)	1
9	200293332	 Chassis Mount Outside (LH)	1	10	200293333	 Chassis Mount Outside (RH)	1

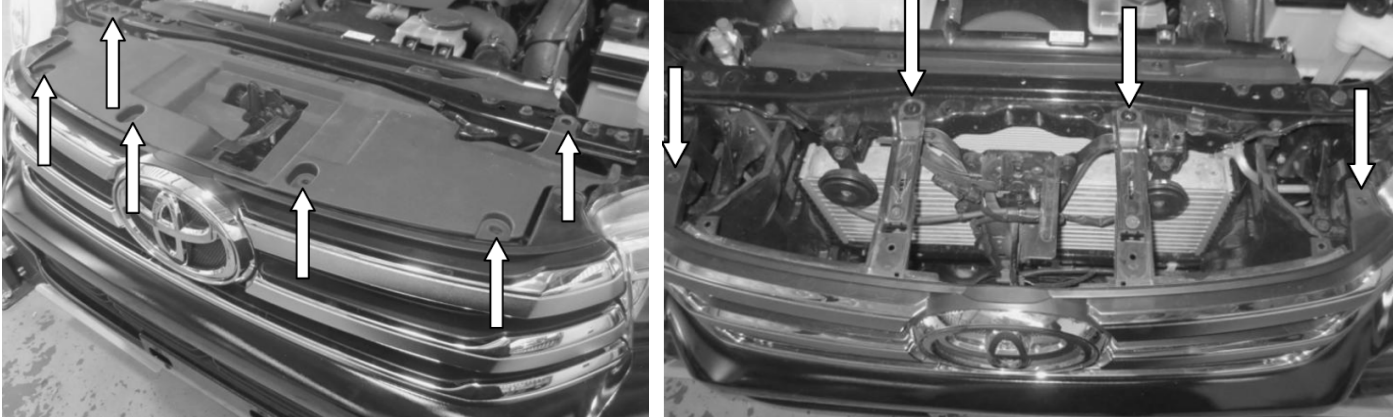
Fitting Instructions

11	E280002151	 Chassis Mount Inside (LH)	1	12	E280009621	 Chassis Mount Inside (RH)	1
13	E280009647	 L brace	1	14	E280003560	 φ 26mm Sleeve	2
15	200120188	 Pinch Weld (2000mm)	1				
Hardware kit							
Item	Item NO.	Description					Qty
16	3002996	Hex head bolt M12x1.25x90x32					6
17	3003087	Hex head bolt M12x1.25x40					16
18	3000172	Spring washer M12					22
19	3000253	Flat Washer M12					42
20	3001554	Hex Nut M12x1.25					20
21	3006351	Package set M6x20 Doom head bolt x Spring washer x Flat washer					26
22	3001569	Flange Nut M6					10
23	3000062	Hex wrench S=4					1

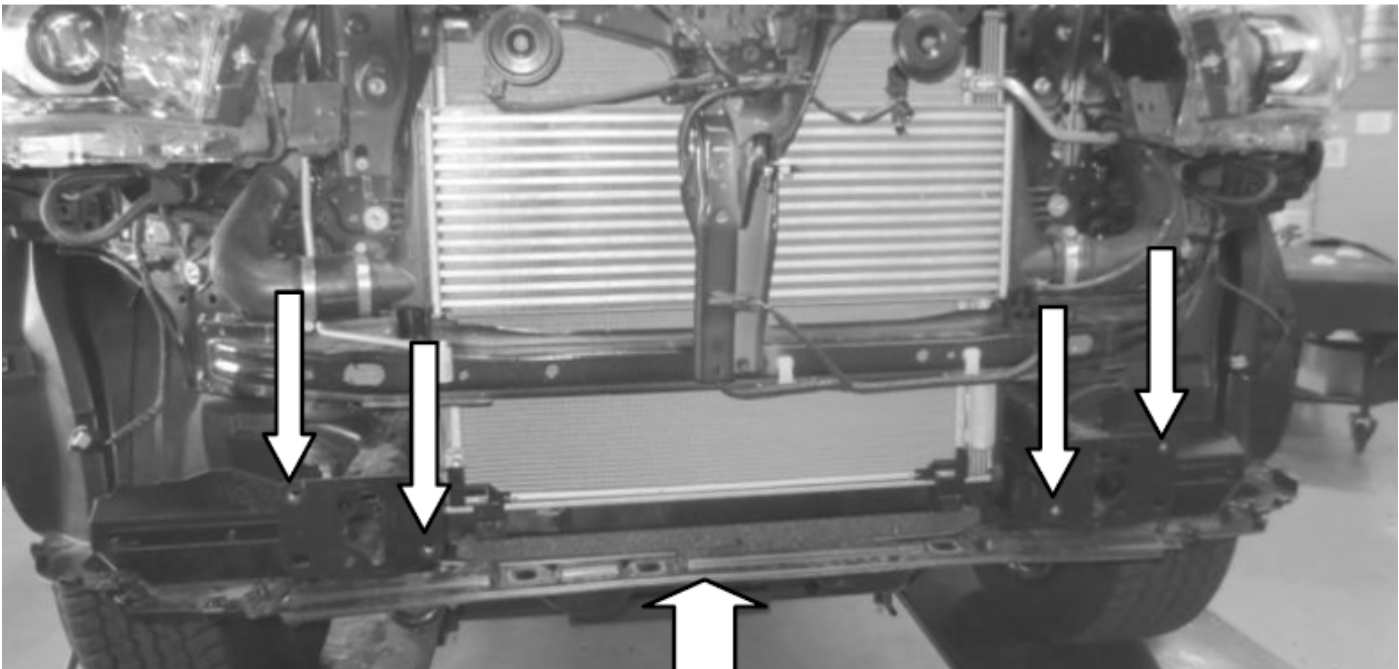
Fitting Instructions

1. Installation Steps:

Remove front surround

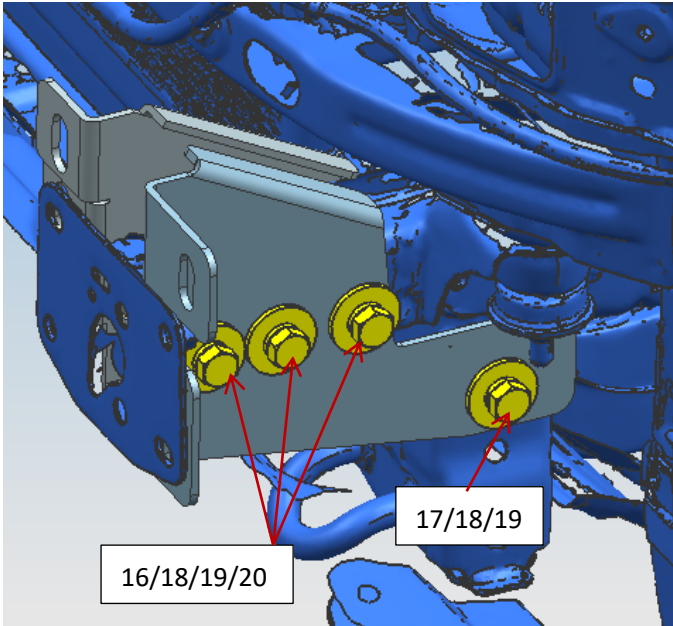


Remove & discard all plastics in front and below beam.
Remove and discard front intrusion beam and fasteners



Fitting Instructions

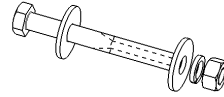
2. Chassis Mount: item 9&11&14 / 10&12&14



Use below bolt kits:

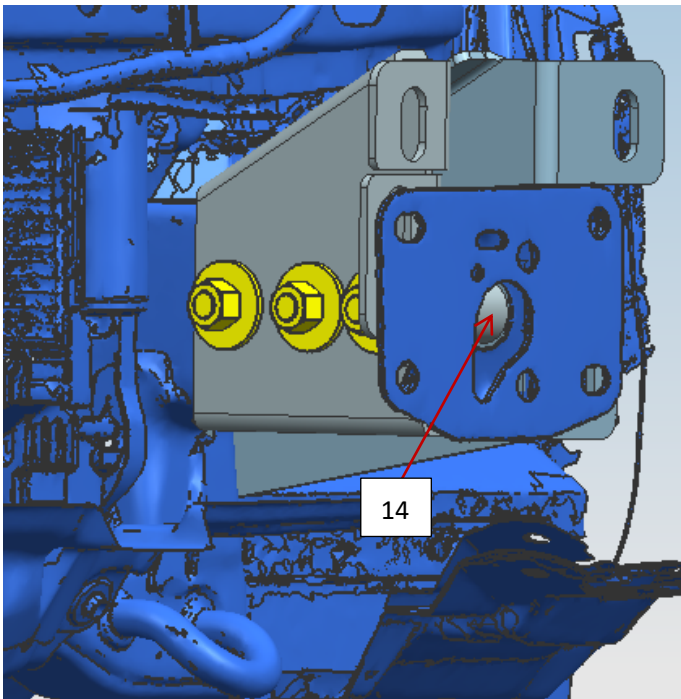
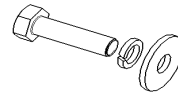
- item 16/18/19/20: :

Hex head bolt M12x90x32 + M12spring washer + M12 washer+ Hex nut M12

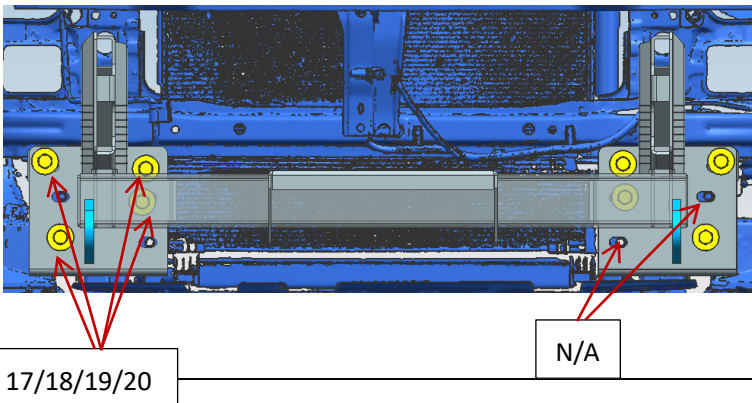


- item 17/18/19:

Hex head bolt M12x40 + M12 spring washer + M12 washer

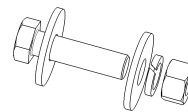


3. Winch frame - item 2



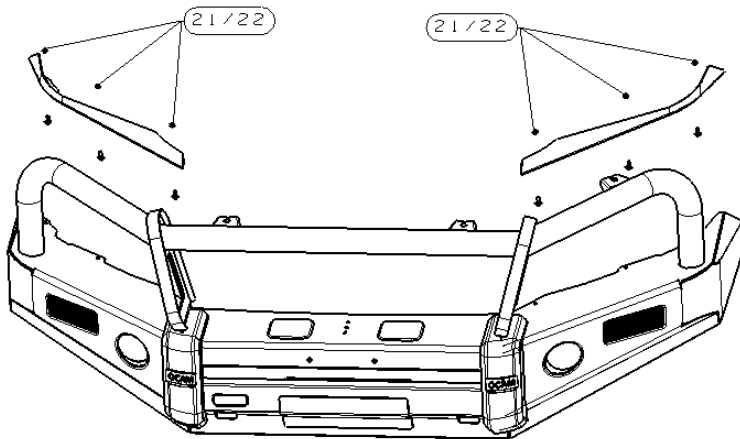
- item 32/33/34/35: (2)

Hex head bolt M12x40 + M12 spring washer + M12 washer + M12 Hex nut



- item n/a Vehicle original fasteners

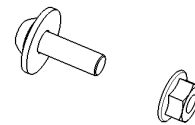
4. install item 7 & 8



Use below bolt kits:

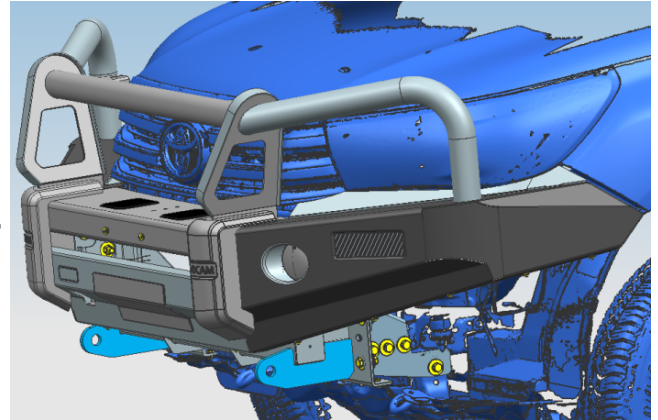
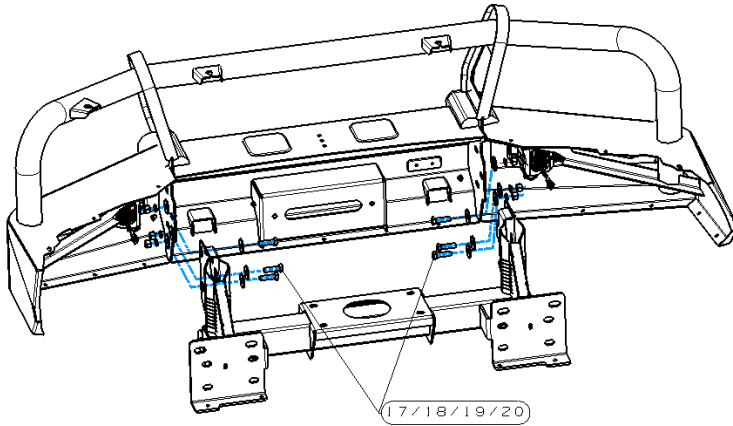
1. item 21/22:

Package set M6x20 Doom head bolt x Spring washer x Flat washer + M6 flange nut



Fitting Instructions

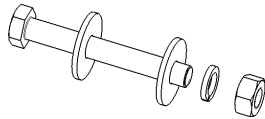
5. install item 1



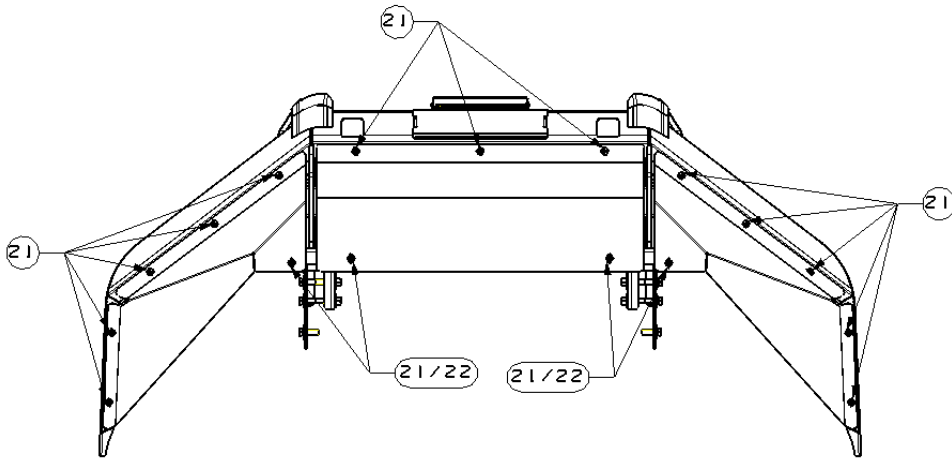
Use below bolt kits

1. item 17/18/19/20

Hex head bolt M12x40 + M12 spring washer + M12 flat washer + M12 Hex nut



6. install item 3&4&5



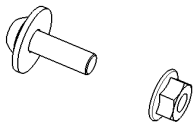
Use below bolt kits:

1. Item 21:

Package set M6x20 Doom head bolt x Spring washer x Flat washer



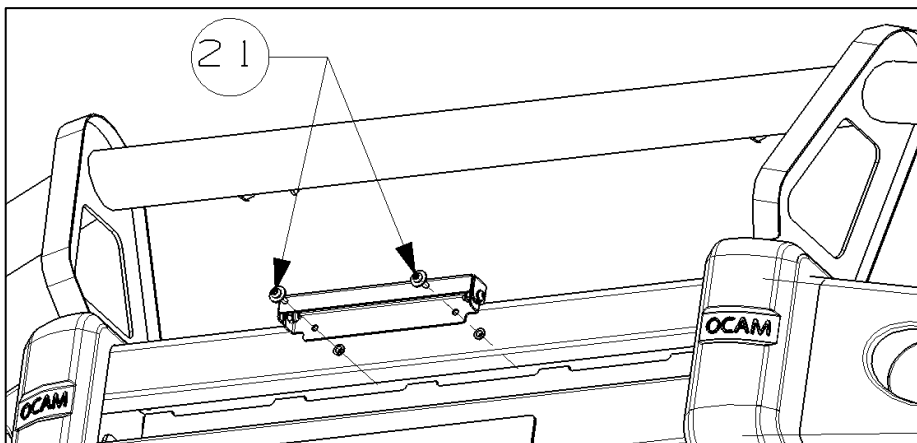
2. item 21/22:



Package set M6x20 Doom head bolt x Spring washer x Flat washer + M6 flange nut

7. install item 6:

Using Package set M6x20 Doom head bolt x Spring washer x Flat washer





Fitting Instructions

8. Item 13 the L brace is for fastening the grill with original fasteners
 9. Test and make sure that the guard is steadily fixed, fully tighten all hardware
 10. Installation is finished, pick up all tools.
-