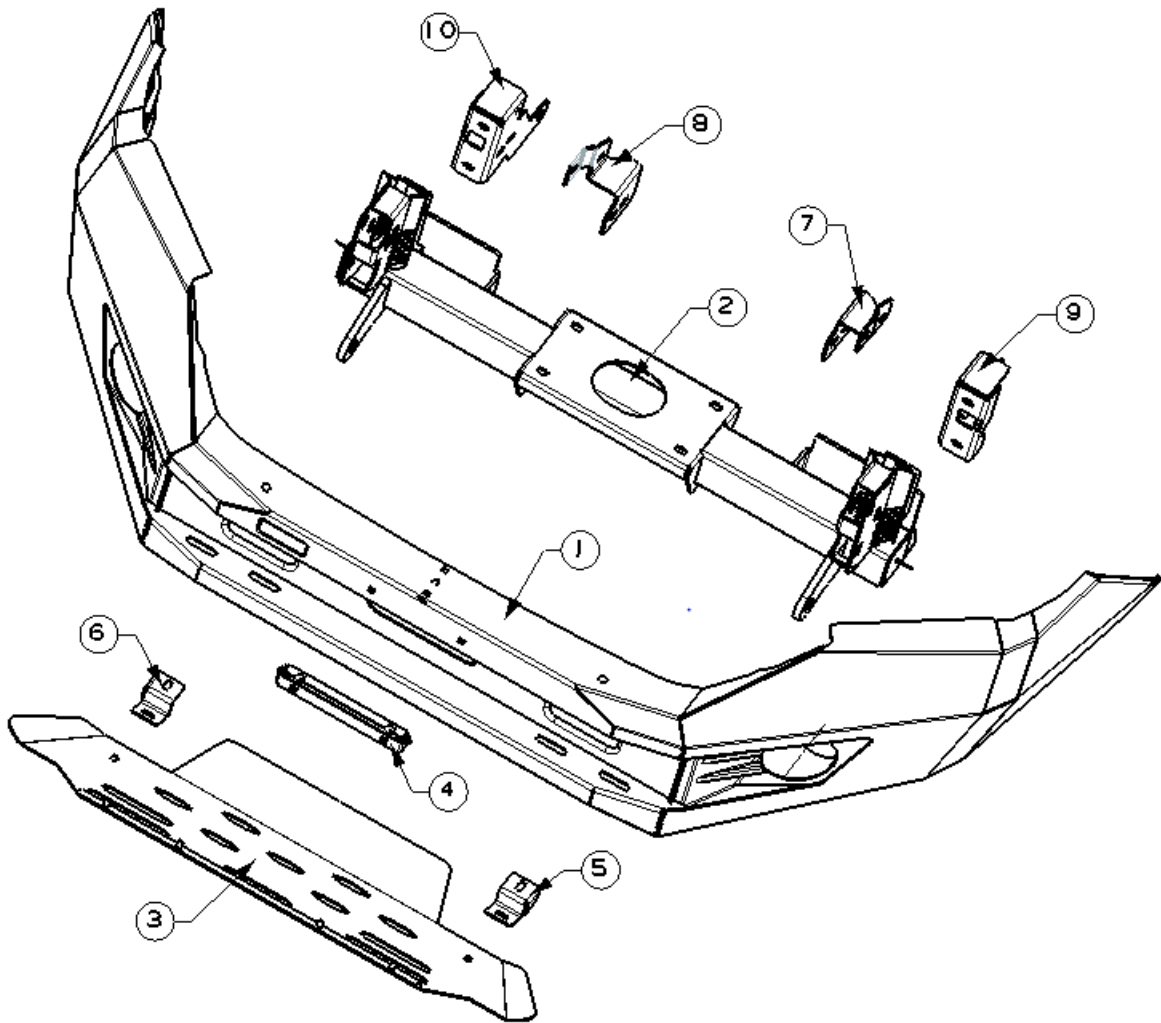


Fitting instruction

Description:	OCAM H-Bar, Replacement Winch Bar For Toyota Hilux 08/2020-Onwards, Hoopless Bull Bar
Model:	Toyota Hilux 08/2020-Onwards
Item NO.:	BBH-HILUX-21



Note:

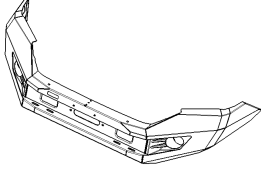
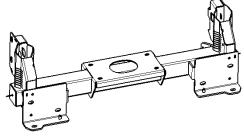
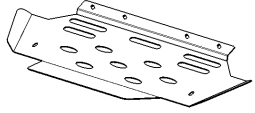

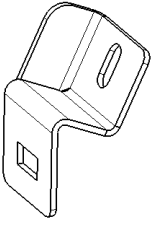
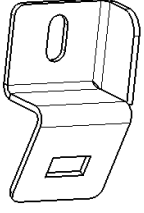
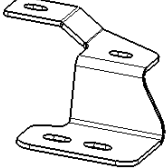
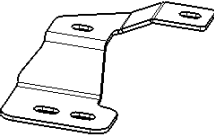
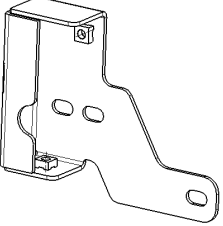
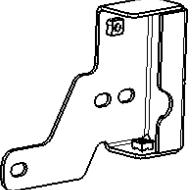
- 1) This bull bar is only suitable for the vehicle make/model/series stated above.
- 2) Do not remove the compliance label.
- 3) Do not change the structure of the bull bar.

Standard locking torque

M6 - 11Nm | M8 - 18Nm | M10 - 80 Nm | M12 - 90 Nm | M16 - 90 Nm

Fitting instruction

BOM List

Item	Item NO.	Description	Qty	Item	Item NO.	Description	Qty
1	200414505	 Bull bar assemble	1	2	200414713	 Winch Frame	1
3	200414699	 Center bash plate	1	4	E280008049	 Number Plate Bracket	1
5	200414707	 Bash plate holding bracket LHS	1	6	200414711	 Bash plate holding bracket RHS	1
7	200414676	 Chassis Mount B(LHS)	1	8	200414679	 Chassis Mount B(RHS)	1
9	200414670	 Chassis Mount A(LHS)	1	10	200414671	 Chassis Mount A(RHS)	1



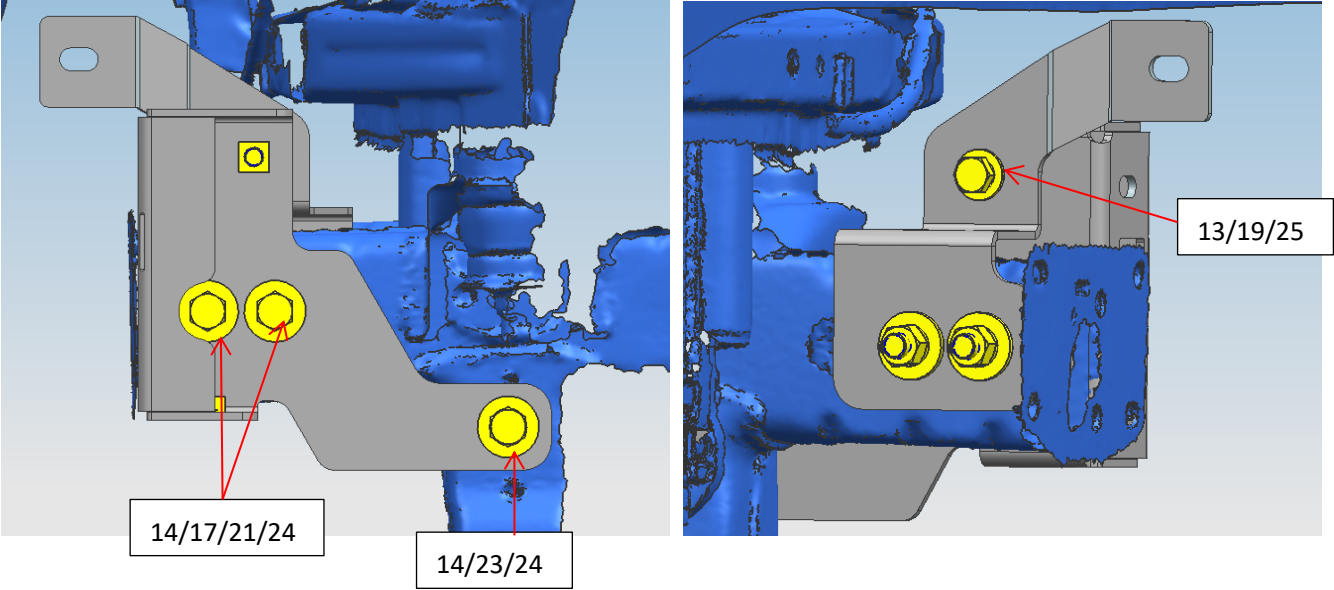
Fitting instruction

Hardware kit

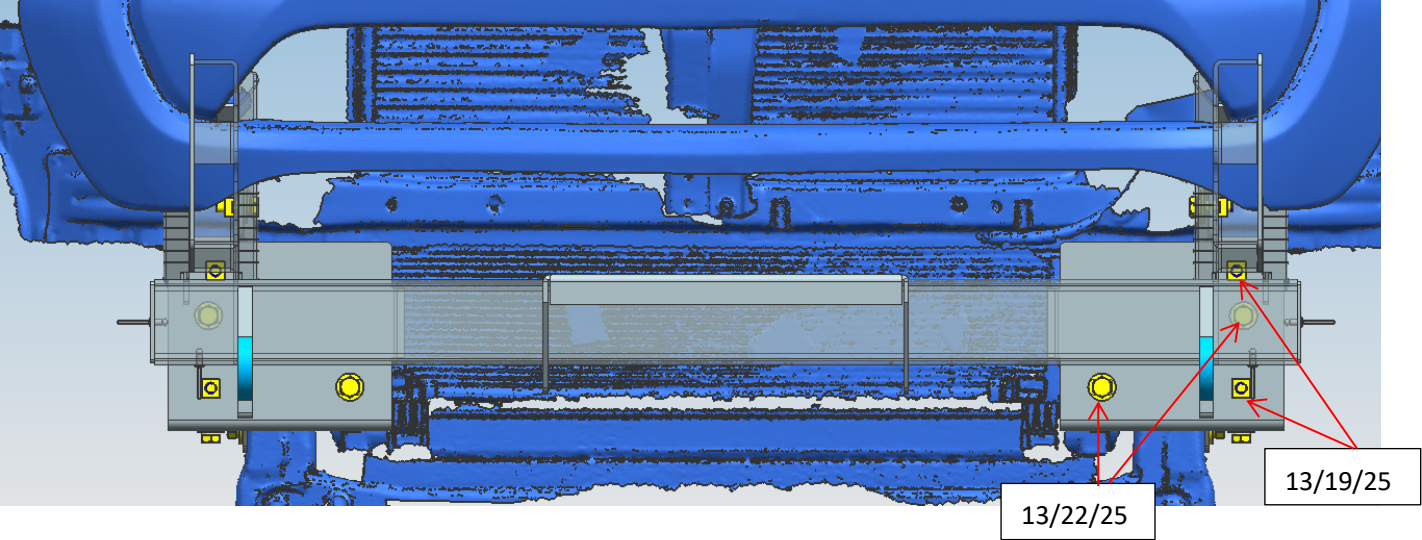
Item	Item NO.	Description	Qty
11	2001165640 1	M8 cage nut	2
12	3000147	Spring washer M8	2
13	3000161	Spring washer M10	14
14	3000172	Spring washer M12	12
15	3000246	Flat washer M10(10x30x2.5mm)	2
16	3000786	Dome head bolt M8_25	2
17	3001504	Hex nut M12	10
18	3002708	Hex head bolt (full thread) M10_30	2
19	3002712	Hex head bolt (full thread) M10_35	8
20	3002826	Hex head bolt (full thread) M12_40	6
21	3002879	Hex head bolt (full thread) M12_90	4
22	3003020	Hex head bolt (full thread) M10x1.25_30	4
23	3003081	Hex head bolt (full thread) M12x1.25_35	2
24	3004966	Flat washer M12_32_3	22
25	3005394	Flat washer M10_24_2.2	12
26	3005595	Flat washer M8_22_2	2
27	3006212	Hex bolt, spring washer, flat washer combo kit M8_25	2
28	3006351	Dome head bolt, spring washer, flat washer (OD 18mm) combo kit M6_20	6

Fitting instruction

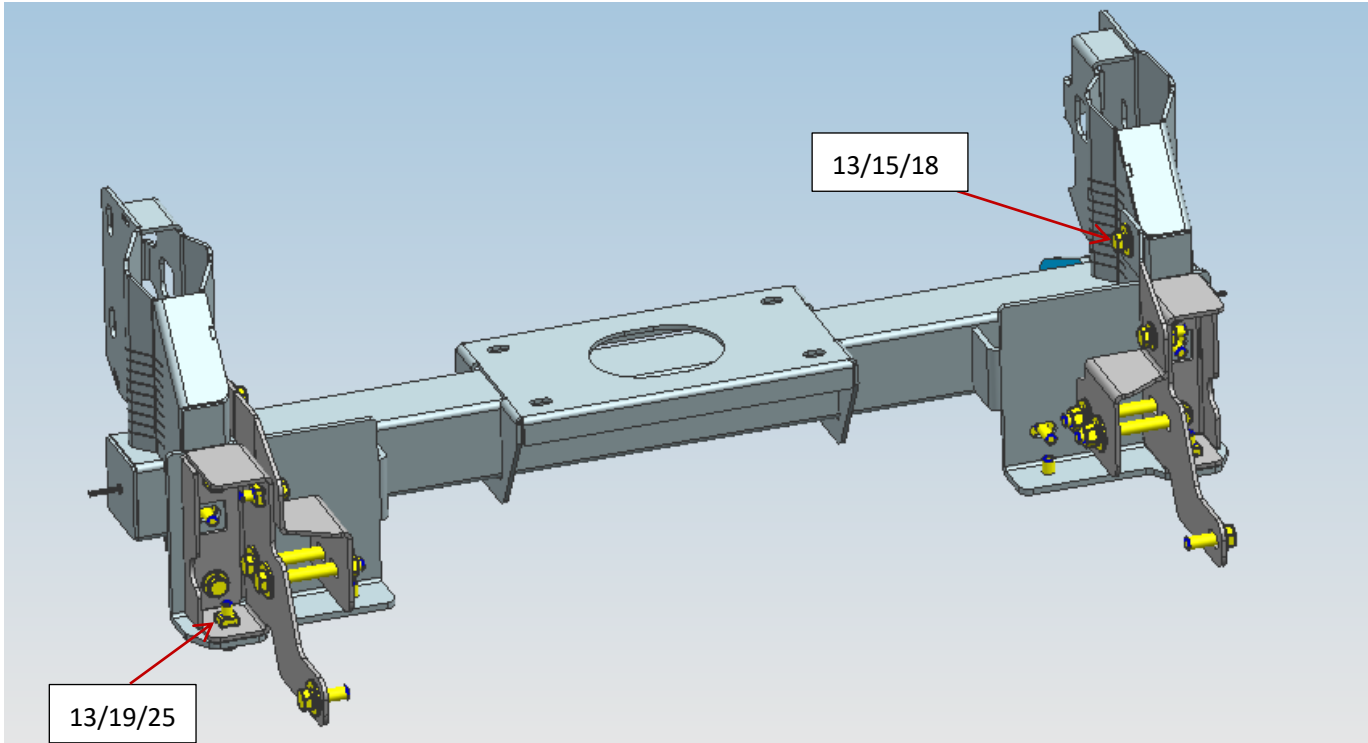
Step 1: Install chassis mount A and chassis Mount B:



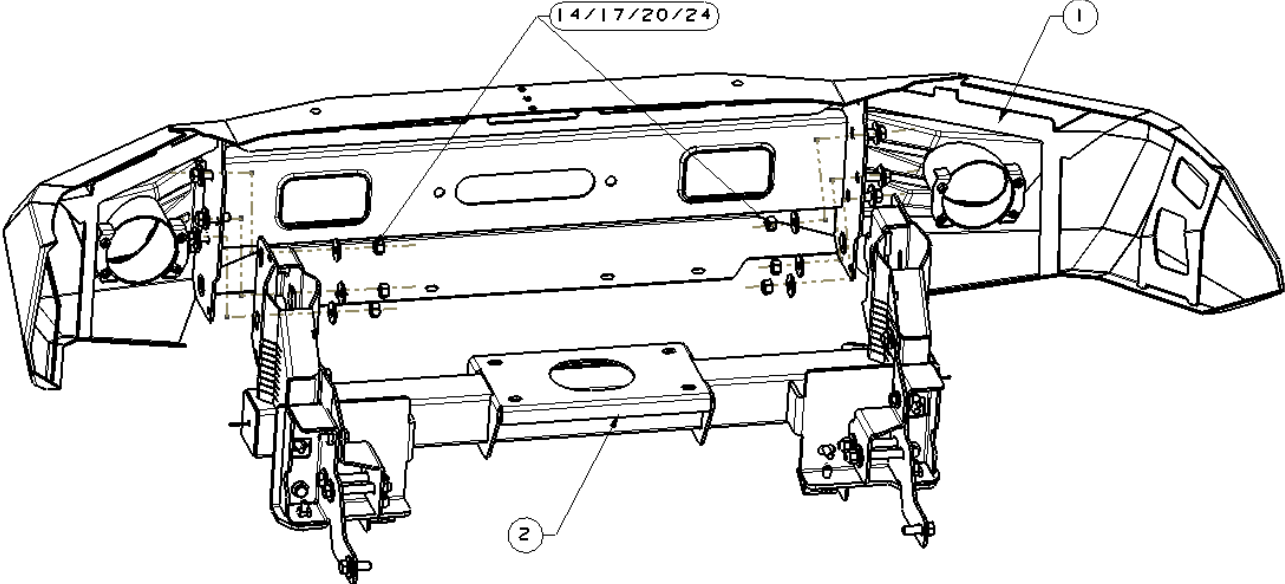
Step 2: Install winch frame:



Fitting instruction

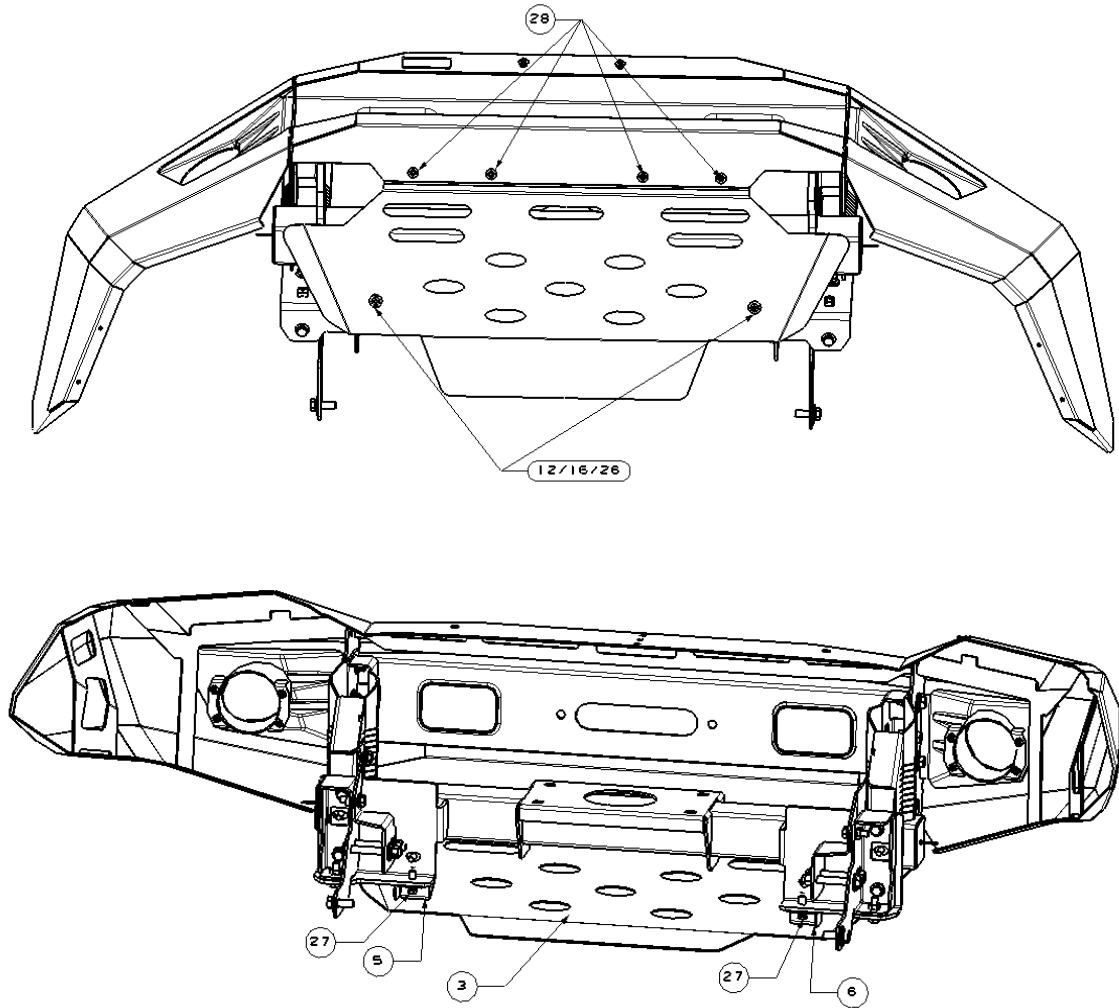


Step3: Install the bull bar channel:

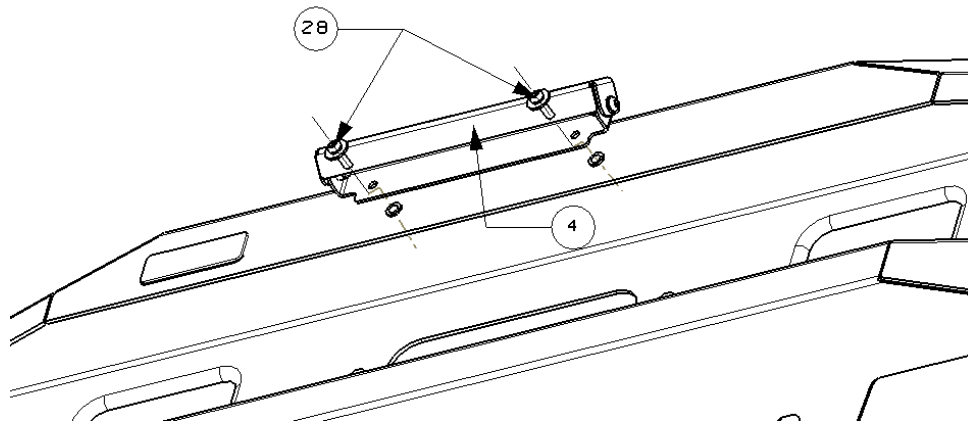


Fitting instruction

Step5: Install Center bash plate



Step6: Install number plate bracket



Test and make sure that the guard is steadily fixed, fully tighten all hardware
Installation is finished, pick up all tools.