

INSTALLATION INSTRUCTIONS

ITEM NO.: NB-LDV-T60-MAX

DESCRIPTION: NUDGE BAR / GRILLE GUARD FOR LDV-T60 2017-On, All Variants

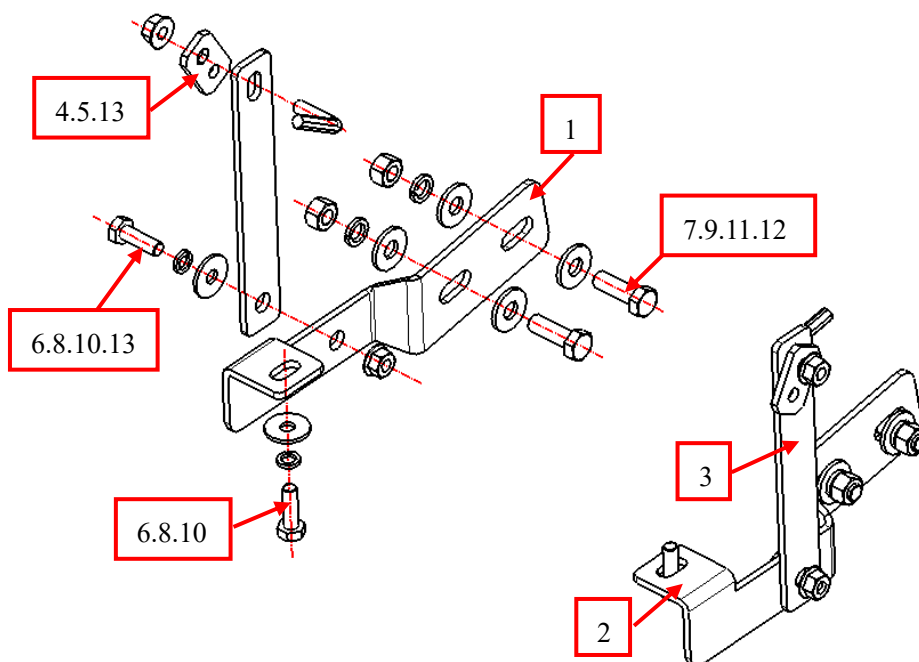
- Please read this installation instructions before installing this accessory. Take care to protect your vehicle and prevent any scratches during installation.
- To ensure ongoing safe use, you may need to periodically re-tighten all hardware after installation.
- Installation pictures are only for your reference. There may be some differences between pictures and parts. These will not affect the fitting.

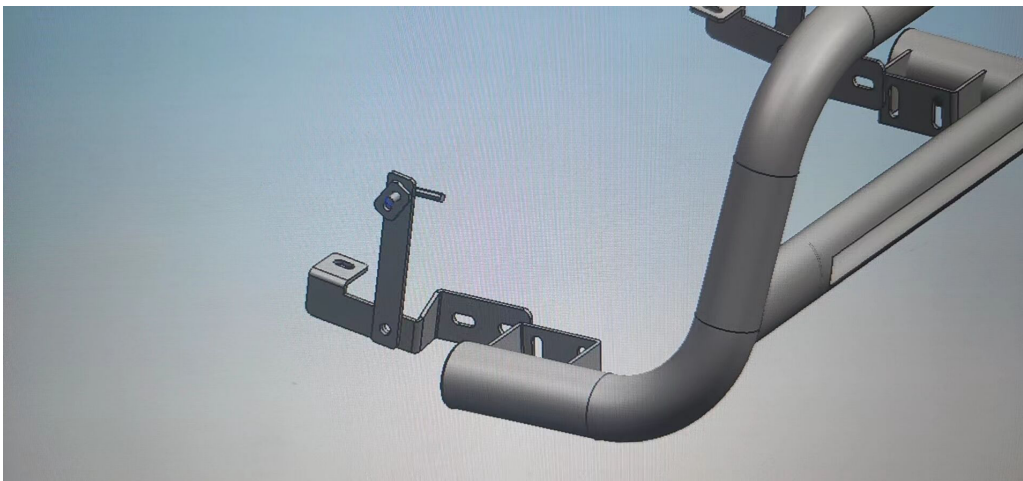
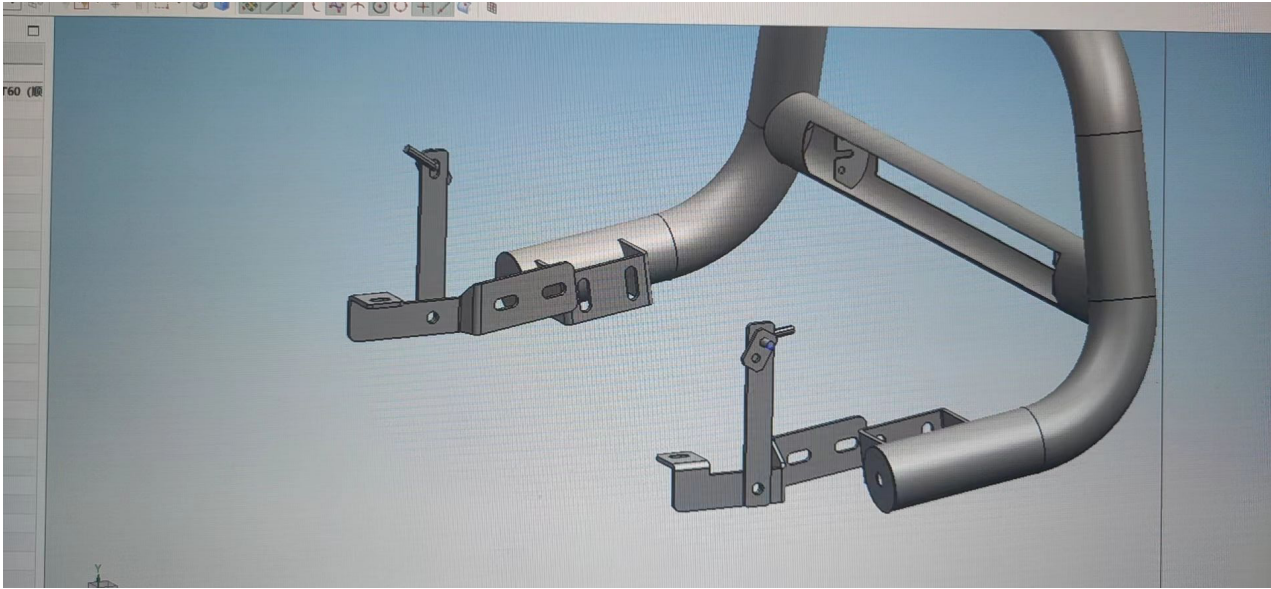
PART LIST

NO.	NAME	QTY	REMARK	NO.	NAME	QTY	REMARK
1	L-BRACKET 1	1		8	LARGER WASHER	4	Φ10*30*2.5
2	R-BRACKET 1	1		9	LARGE WASHER	8	Φ12*30*3.0
3	BRACKET 2	2		10	Spring washer	4	Φ10
4	Fixture plate	2	46*28	11	Spring washer	4	Φ12
5	Hook bolt	2	M10	12	HEXAGON nut	4	M12
6	HEXAGON BOLT	4	M10*30	13	Hexagon flange nut	4	M10
7	HEXAGON BOLT	4	M12*35	14			

REMARK: THE LEFT AND RIGHT SIDES ARE INSTALLED IN THE SAME WAY

INSTALLATION DIAGRAM





INSTALLATION PROCEDURE:

- Step 1: Check all hardware against the parts list to make sure you have everything you need.
- Step 2: Refer to the bottom chassis hole to install the left and right bracket as shown above.
- step3: Install the nudge bar / grille guard on the bracket and then adjust the installation position of the bracket according to the position of the nudge bar / grille guard.
- Step 4: Check all hardware has been fitted correctly and then tighten.

Disclaimer: Any issues or losses related to incorrect installation are beyond our company's quality assurance.